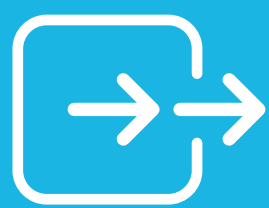
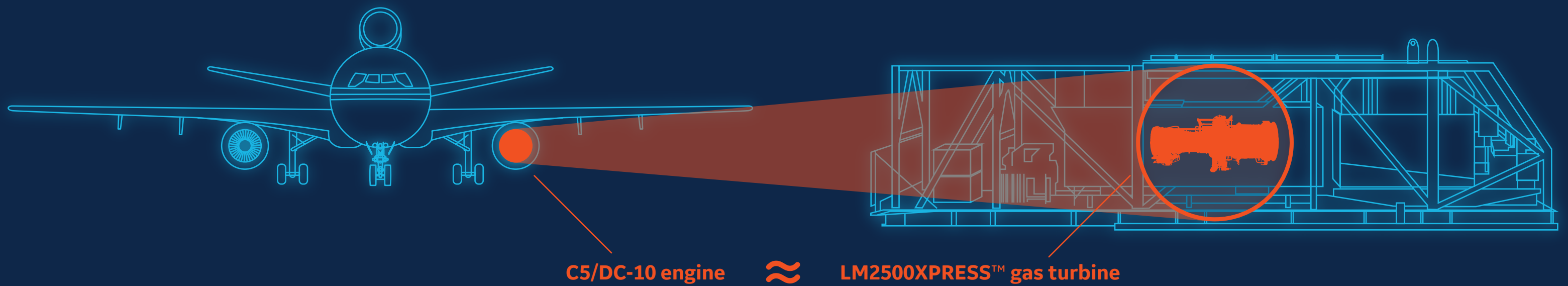




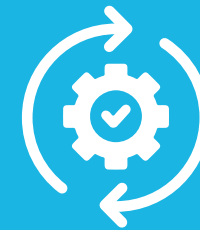
The LM2500XPRESS: Modularity Reimagined

Operating at the speed of flight

GE's aeroderivative gas turbines are highly available, flexible and reliable because they were originally engineered for airplanes, with the ability to achieve multiple starts per day.



34 MW
Net output



Up to
38.5%
Efficiency



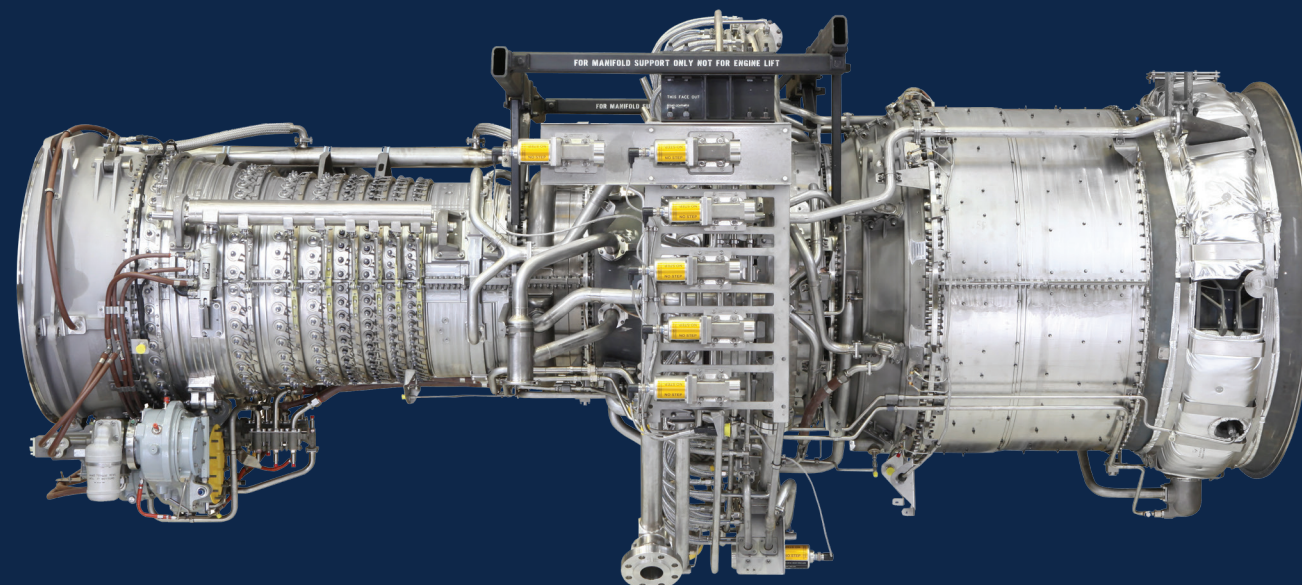
5 min.
Start time



99.5%/98.7%
Reliability/availability

95%

Assembled in the
factory



10

Simplified modules
for easy install