



Grid Solutions
a GE and Alstom joint venture

DISCONNECT SWITCHES PRODUCT SOLUTIONS

CGVB-08

Vertical break disconnect switch

Grid Solutions is the world's largest manufacturer of disconnect switches with over 140,000 units installed in more than 130 countries around the world.



From 25 kV to 345 kV

Grid Solutions' disconnect switches are the result of over 75 years of experience in developing high voltage switches that have proven their reliability in the scorching climates of Arizona (USA), Australia and Sudan, in the extremely cold territories of Canada, Russia and Sweden, in the tropical weather of Panama, Indonesia, Malaysia and Venezuela, and in regions with intense seismic activity such as Chile and California (USA).

SWITCH IT, SWITCH IT GOOD!!

The CGVB-08 vertical break disconnect switch is available in a wide range of ratings and is a robust and reliable performer.

The double jaw contact system ensures low maintenance, long life and excellent electrical and mechanical performance in the most adverse operating conditions such as high wind, ice and seismic.

CUSTOMIZATION

Grid Solutions experts can propose customized solutions for different layouts to meet specific project needs.

MAIN CHARACTERISTICS

- Up to 4,000 A
- Up to 80 kA/3 s
- Temperatures from -50°C to + 50°C
- Ice up to 20 mm (¾")

OPTIONAL DEVICES

The CGVB-08 can be fitted with integrated grounding switches, mounted either parallel or perpendicular to the disconnect switch blade travel. In addition, it can also be fitted with a wide range of accessories including, but not limited to, high speed whips, silver inlaid contacts, interlocking mechanisms and auxiliary contacts.

INSTALLATION & MAINTENANCE

The CGVB-08 vertical break disconnect switch does not require any special tools for installation, adjustment or maintenance. Thanks to factory-sealed bearings, life-time greased or self-lubricating parts and corrosion-free materials, the CGVB-08 is virtually maintenance free.

CERTIFICATION

All Grid Solutions' disconnect switch manufacturing sites worldwide are certified according to ISO 9001, ISO 14001 and OHSAS 18001. Grid Solutions designs, manufactures, tests and delivers its disconnect switches in accordance with the latest IEEE/ANSI standards.

CUSTOMER BENEFITS

- Reduced phase spacing requirements
- Virtually maintenance free
- No special tools required
- Wide range of accessories available
- Customization to meet specific needs



25 TO 245 kV 1,200-3,000 AMP.

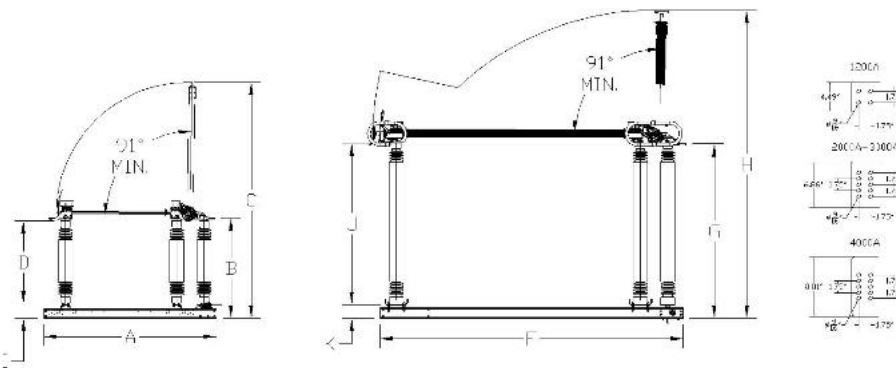
TECHNICAL DATA

Rated Voltage	Max. Rated Current	Short Circuit Current	BIL	A inch (mm)	B inch (mm)	C inch (mm)	D inch (mm)	E inch (mm)
25.8 kV	1,200 - 3,000 A	38 kA 3 sec. - 63 kA 3 sec.	150	59 (1,499)	26 (656)	63 (1,603)	14 (356)	10 (254)
38 kV	1,200 - 3,000 A	38 kA 3 sec. - 63 kA 3 sec.	200	69 (1,753)	30 (757)	77 (1,958)	18 (457)	10 (254)
72.5 kV	1,200 - 3,000 A	38 kA 3 sec. - 63 kA 3 sec.	350	85 (2,165)	42 (1,062)	103 (2,619)	30 (762)	10 (254)
121 kV	1,200 - 3,000 A	38 kA 3 sec. - 63 kA 3 sec.	550	102 (2,597)	57 (1,441)	135 (3,430)	45 (1,143)	10 (254)
145 kV	1,200 - 3,000 A	38 kA 3 sec. - 63 kA 3 sec.	650	113 (2,876)	66 (1,670)	155 (3,938)	54 (1,372)	10 (254)
169 kV	1,200 - 3,000 A	38 kA 3 sec. - 63 kA 3 sec.	750	122 (3,105)	74 (1,873)	172 (4,370)	62 (1,575)	10 (254)
242 kV	1,200 - 3,000 A	38 kA 3 sec. - 63 kA 3 sec.	900	147 (3,734)	93 (2,364)	218 (5,527)	80 (2,032)	11 (286)
242 kV	1,200 - 3,000 A	38 kA 3 sec. - 63 kA 3 sec.	1050	163 (4,140)	105 (2,668)	246 (6,238)	92 (2,337)	11 (286)

25 TO 345 kV 4,000 AMP.

TECHNICAL DATA

Rated Voltage	Max. Rated Current	Short Circuit Current	BIL	F inch (mm)	G inch (mm)	H inch (mm)	J inch (mm)	K inch (mm)
25.8 kV	4,000 A	80 kA 3 sec.	150	75 (1,911)	24 (621)	87 (2,211)	15 (381)	10 (254)
38 kV	4,000 A	80 kA 3 sec.	200	84 (2,125)	29 (730)	101 (2,556)	18 (457)	10 (254)
72.5 kV	4,000 A	80 kA 3 sec.	350	95 (2,410)	39 (1,002)	122 (3,099)	30 (762)	10 (254)
121 kV	4,000 A	80 kA 3 sec.	550	113 (2,877)	54 (1,383)	160 (3,937)	45 (1,143)	10 (254)
145 kV	4,000 A	80 kA 3 sec.	650	124 (3,156)	63 (1,611)	175 (4,445)	54 (1,372)	10 (254)
169 kV	4,000 A	80 kA 3 sec.	750	131 (3,334)	71 (1,814)	190 (4,826)	62 (1,575)	10 (254)
242 kV	4,000 A	80 kA 3 sec.	900	165 (4,172)	89 (2,272)	243 (6,153)	80 (2,032)	10 (254)
242 kV	4,000 A	80 kA 3 sec.	1050	184 (4,680)	101 (2,576)	274 (6,966)	92 (2,337)	10 (254)
362 kV	1,200 - 4,000 A	80 kA 3 sec.	1300	199 (5,042)	115 (2,910)	303 (7,706)	106 (2,692)	9 (230)



Customized layouts available upon request. Phase-to-phase distance defined by substation layout.

QUALITY

Grid Solutions prides itself on being the leading supplier of disconnect switches in the world.

Our design principles, the technical know-how and experience of our experts, and the careful selection of our suppliers to ensure that only top quality materials are used during production, guarantee an excellent life cycle cost.

For more information please contact
GE Grid Solutions

Worldwide Contact Center

Web: www.GEGridSolutions.com/contact
Phone: +44 (0) 1785 250 070

www.GEGridSolutions.com

