



**Grid Solutions**  
a GE and Alstom joint venture

**DISCONNECTORS** PRODUCT SOLUTIONS

# S3CD

## Double side break disconnecter

Grid Solutions, a GE and Alstom joint venture, is the world's largest manufacturer of disconnectors with units installed in more than 130 countries around the world.



### CUSTOMER BENEFITS

- Proven reliability, high performance
- Flexibility
- Reduced phase-to-phase distance
- Built-in or retro-fitted earthing switches
- Built-in arc restrictors available
- Virtually maintenance free
- Easy start-up and commissioning
- Designed for high current performance up to 6,000 A

## From 145 kV to 550 kV

Grid Solutions' disconnectors are the result of over 75 years of experience in developing high voltage switches that have proven their reliability in the scorching climates of Arizona (USA), Australia and Sudan, in the extremely cold territories of Canada, Russia and Sweden, in the tropical weather of Panama, Indonesia, Malaysia and Venezuela and in regions with intense seismic activity such as Chile and California (USA).

### DESIGNED FOR RELIABILITY

The S3CD is a rugged performer even in adverse operating conditions such as high winds and heavy ice, and is always stable in the close position during short circuits.

The S3CD is a double side break disconnecter on which the centre insulator rotates to open and close the switch. It is particularly suited for applications in which low vertical clearance prohibits the use of other disconnectors. Both terminal pads are rigid and well supported which permit post insulators and additional space savings: key advantages when designing your substation.

The S3CD blades are extra heavy, one piece, tubular aluminium with replaceable silver plated copper contacts at each end. A galvanised structural steel channel base supports the insulators and the live parts assuring a high strength, rigid design. The centre insulator stack rotates on weather sealed, greaseless rotor bearings on which no maintenance is required.



Grid Solutions' experts are pleased to propose customised solutions including vertical, underhung and phase-over-phase.

### PERFORMANCE

Contact pressure is applied to the reverse loop copper jaw fingers by stainless steel springs which are insulated at one end, eliminating any possibility of annealing the springs due to their carrying current. Jaw contact pressure is increased as current rises due to the reverse loop finger design. A heavy compression spring holds the blade contact ends in an angular position preventing any interference as the contacts enter in the jaw. Thanks to its specific design, the operating torque is independent from the disconnecter size ensuring smooth operation up to 550 kV.

### QUALITY

Grid Solutions prides itself on being the n°.1 supplier of disconnectors in the world. Our design principles, the technical know-how and experience of our experts and the careful selection of our suppliers to ensure that only top quality materials are used during production, ensure an excellent life cycle cost.

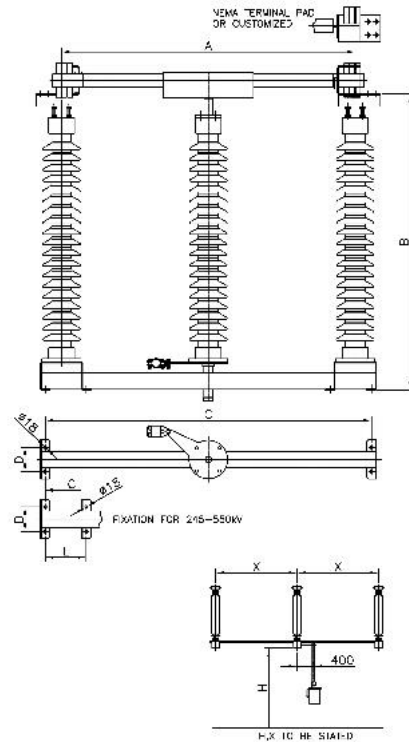
## CERTIFICATION

All Grid Solutions' disconnector manufacturing sites worldwide are certified according to ISO 9001, ISO 14001 and OHSAS 18001. Grid Solutions designs, manufactures, tests and delivers its disconnectors in accordance with the latest ANSI and IEC standards, as well as GB Chinese national standards.

## INSTALLATION AND MAINTENANCE

The S3CD does not require any special tools to be adjusted and is recognised worldwide as an easy to install and adjust disconnector.

Thanks to its self-lubricating or lifetime greased parts and corrosion free materials, the S3CD is virtually maintenance free.



Customised layouts available upon request. Phase-to-phase distance defined by substation layout.

## Technical data (IEC)

Rated voltage kV	Rated current A / Short time current kA **	BIL kV	A mm	B mm	C mm	D mm	E mm
145	3150 / 63	650	1800	1816	2000	150	
170	3150 / 63	750	2000	2038	2200	170	
245R	3150 / 63	950	2400	2472	2600	220	270
245	3150 / 63	1050	2800	2672	3000	220	270
300	3150 / 63	1050	3200	3022	3400	220	270
362	3150 / 63	1175	3800	3338	4050	270	340
420	3150 / 63	1425	4200	3788	4450	270	340
550	3150 / 63	1550	5000	4463	5250	270	340

\*\* Also available in 4,000 and 5,000 A versions up to 200 kA peak

For more information please contact  
GE Grid Solutions

### Worldwide Contact Center

Web: [www.GEGridSolutions.com/contact](http://www.GEGridSolutions.com/contact)  
Phone: +44 (0) 1785 250 070

[www.GEGridSolutions.com](http://www.GEGridSolutions.com)

