

Multilin L90



Line Protection System with Segregated Line Current Differential and Distance Protection

The Multilin™ L90 is a high-end line current differential protection relay intended for transmission lines and cables of different voltages levels, providing reliable and secure operation even under the worst case power system conditions.

The L90 provides high-speed phase-segregated fault clearance, suitable for single and three-pole tripping applications.

Part of the Universal Relay (UR) family, the Multilin L90 comes with a variety of versatile features, truly integrating protection, monitoring, metering, communication and control in one easy-to-use device.

Key Benefits

- Standardized and comprehensive line protection device with high-speed phase segregated differential protection and charging current compensation, 5 zones for phase & ground distance protection (6-zones and sub-cycle performance available) with customizable pilot schemes ensuring high-speed single-pole tripping
- In-zone power transformer enables savings on CTs and protection device requirements
- Embedded Synchrophasor measurement capabilities (per IEEE® C37.118), eliminating the need for dedicated PMUs and support for synchrophasor multi-cast (per IEC® 61850-90-5) reducing bandwidth and communications infrastructure costs
- An integrated large, full color display, provides real-time visualization and control of the protected bay, via a bay mimic as well as annunciator functionality and graphical visualization of phasors
- Advanced IEC 61850 Ed. 1 and Ed. 2 certified implementation, complete settings via SCL files and comprehensive process bus support (IEC 61850-9-2LE or IEC 61869 or IEC 61850-9-2 Hardfiber) ensures interoperability, device managing optimization and reduced cost of ownership
- Routable GOOSE (R-GOOSE) enables customer to send GOOSE messages beyond the substation, which enables WAPC and more cost effective communication architectures for wide area applications
- Supports IEEE C37.111-1999/2013, IEC 60255-24 Ed 2.0 COMTRADE standard
- Embedded multi-range signal oscillation detection (MSOD)

Applications

- Overhead lines including series compensated lines and underground cables of different voltage levels
- Circuits with tapped transformer feeders
- Suitable for three-terminal lines with channel redundancy and Direct Transfer Tripping (DTT)
- Single and dual-breaker circuits requiring single/three-pole autoreclosing and independent synchrocheck supervision
- Secure application with Capacitively-Coupled Voltage Transformers (CCVTs)
- Ground isolated and peterson-coil systems

Protection and Control

- Phase segregated line current differential with adaptive restraint, ground differential, in-zone transformer and stub bus protection
- Phase & ground distance (5-zones) with independent compensation settings. 6-zones and sub-cycle performance available
- Protection and control functionality in one box, reducing the number of devices
- High density inputs/outputs to support the control of many switchyard assets – all from one powerful device
- Integrated large, full color display, for real-time visualization and control of the protected bay

Advanced Communications

- 3 independent Ethernet ports for simultaneous & dedicated network connections with IEEE 1588 support
- IEC 61850-9-2LE/IEC 61869 networked or IEC61850-9-2 Hardfiber process bus support
- Wide range of supported protocols: IEC 61850 Ed. 2, SFTP, MMS File Transfer Service, DNP 3.0, Modbus Serial/TCP, IEEE 1588, IEC 60870-5-104 and 103, PRP, SNMP, HTTP, TFTP
- Increased network availability by reducing failover time to zero through IEC 62439-3 PRP Support

Cyber Security

- CyberSentry™ provides high-end cyber security aligned to industry standards and services (NERC® CIP, AAA, Radius, RBAC, Syslog)

Monitoring & Metering

- Multi-ended fault location consistently providing 2% accuracy
- Advanced recording with high capacity event recorder, waveform capture, and data logger
- Embedded multi-range signal oscillation detection (MSOD)



Protection and Control

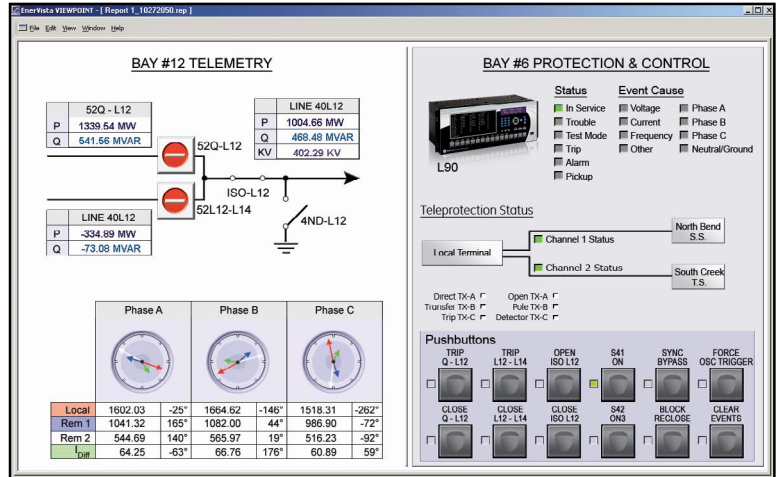
The Multilin L90 Line Protection System offers a high degree of modularity in its design and functionality, providing superior performance while meeting the toughest requirements of the marketplace.

Advanced protection and control features of this relay includes:

Segregated Current Differential Protection

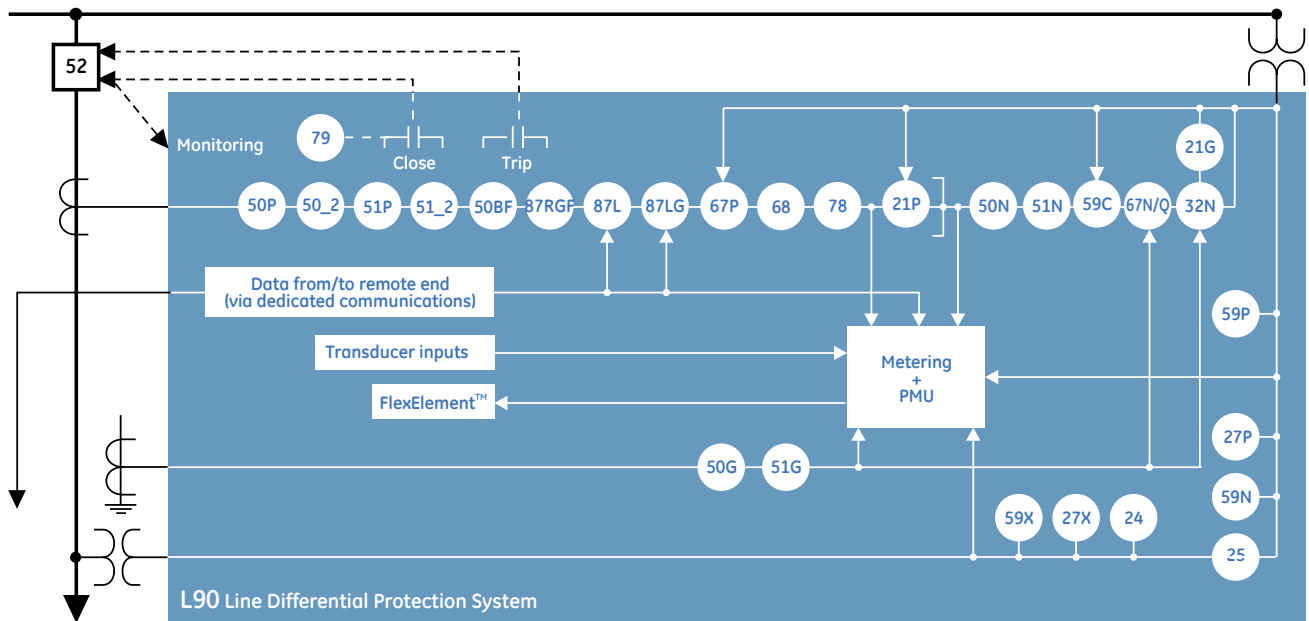
The L90 is a phase-segregated current differential protection relay, which uses superior and patented algorithms to address the challenges of bandwidth, security, dependability and sensitivity in current differential relaying. Bandwidth requirements are effectively addressed by means of a patented new data consolidation technique called "phaselets". This permits application within a communications bandwidth of 64 Kbps, and can detect faults within a half-cycle plus channel delay.

L90 - Protection, Metering, Monitoring and Control



The L90 is the single point for protection, control, metering, and monitoring in one integrated device that can easily be connected directly into DCS or SCADA monitoring and control systems like Viewpoint Monitoring as shown.

Functional Block Diagram



ANSI¹ Device Numbers & Functions

DEVICE NUMBER	FUNCTION
21G	Ground distance
21P	Phase distance
24	Volts per hertz
25	Synchrocheck
27P	Phase undervoltage
27X	Auxiliary undervoltage
32N	Wattmetric zero-sequence directional
32R	Sensitive reverse power
49	Thermal overload protection
50BF	Breaker failure
50DD	Adaptive fault detector
(sensitive)	current disturbance detector
50G	Ground instantaneous overcurrent

DEVICE NUMBER	FUNCTION
50N	Neutral instantaneous overcurrent
50P	Phase instantaneous overcurrent
50_2	Negative-sequence instantaneous overcurrent
51G	Ground time overcurrent
51N	Neutral time overcurrent
51P	Phase time overcurrent
51_2	Negative-sequence time overcurrent
52	AC circuit breaker
59C	Compensated overvoltage
59N	Neutral overvoltage
59P	Phase overvoltage
59X	Auxiliary overvoltage
67N	Neutral directional overcurrent

DEVICE NUMBER	FUNCTION
67P	Phase directional overcurrent
67_2	Negative-sequence directional overcurrent
68	Power swing blocking
78	Out-of-step tripping
79	Automatic recloser
81O	Overfrequency
81R	Rate of change of frequency
81U	Underfrequency
87RGF	Restricted ground fault
87L	Segregated line current differential
87LG	Ground line current differential
TGFD	Transient ground fault detection
	Harmonic/Inrush detection

The L90 innovative dual-slope-adaptive-restraint characteristic, based on estimates of measurement errors, allows the relay to be secure on severe external faults while maintaining sensitivity for internal faults. The estimate of errors in the input currents permits more sensitive settings than those used in the traditional percent differential schemes.

The line differential element also has 2nd harmonic inrush-current inhibit for in-zone power transformer protection. This functionality enables the L90 to protect 2 or 3-terminal lines that have a power transformer in between ends.

The L90 approach to clock synchronization relies upon precise and distributed synchronization. Clocks are phase-synchronized to each other and frequency-synchronized to the power system frequency. Each relay compares its clock to the phase of the other clocks and makes appropriate adjustments. This allows for greater transient ride-through for power system and communications disturbances.

Enhanced additional security is provided by a sensitive current disturbance detector, which can be used to supervise the current differential element.

Ground Differential “87G”

The ground differential function “87G” protects against low-current single line-to-ground faults. It has a single slope characteristic and uses the vectorial sum of all in-zone phase currents to calculate the neutral differential current, with the maximum value of phase current being used as restraint. This function, together with the phase differential, delivers enhanced sensibility and selectivity to the protection scheme.

Charging Current Compensation

For long transmission lines and underground cables, the charging current may be large and result in excessively high pickup settings. The L90 can dynamically compensate the charging current, thus increasing its sensitivity to the fault current on long transmission lines.

Enhanced Monitoring Features

The L90 uses advanced error detection and supervising functions to secure itself against misoperation due to erroneous data. High bit errors are addressed by means of computing a 32-bit CRC checksum, effectively addressing the concerns of multiple bit errors due to high channel noise.

On multiplexed channels, channel asymmetry may be expected due to path switching causing spurious differential currents, which can

endanger the security of the differential system. By using GPS time synchronization, up to 10ms of channel asymmetry can be compensated. Extra security has been implemented in the L90 to ensure proper operation in the event of IRIG-B signal failure.

Integrated channel monitoring provides real-time diagnostic data on the health of the L90. Communications channel deterioration or failure will activate an alarm, and can be used to enable backup protection. Channel propagation delay is monitored and adjusted according to variations in communication paths.

Communication Topologies (Pilot Channel)

Relays can communicate through direct fiber, RS422, G.703, and IEEE C37.94 interfaces at 64/128Kbps, with extensive channel monitoring and diagnostics. In a current differential scheme, the L90s exchange data via the communication link, acting either as master collecting data, making calculations and making all relevant trip and restraint decisions, or as slave only, transmitting current data to the one acting as master. For two-terminal applications, use the redundant communications capability of the L90 for optimal reliability of the current

differential line protection. For this scheme, data is continuously transmitted over both channels, so if a failure occurs, the L90 will continue to provide current differential protection.

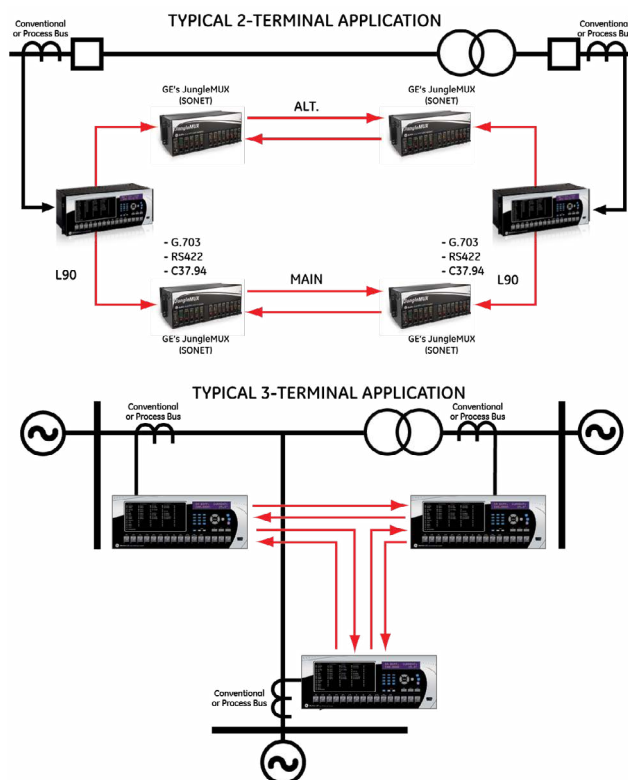
For three-terminal applications, advanced inter-relay communication features eliminate the need for redundant communication channels due to the ability of the L90 to automatically switch between master and slave mode, maintaining a dependable system even with a failure of one of the communication channels.

Distance Protection

The L90 shares the core of the D60 relay, which is the distance function, and provides a high degree of sensitivity and selectivity for all types of faults.

The distance function in the L90 comes with five zones of phase and ground distance, providing the user maximum flexibility to cater to different applications, which include primary line protection and backup protection for busbars, generators, transformers and reactors. Optional 6-zones and sub-cycle performance are available via SW option. The L90 can be applied to power systems with different earthing conditions, lines with in-zone transformers or tapped

Typical Applications



Typical two and three-terminal applications of L90. L90 supports a variety of media cards for signaling between L90's including direct multimode or singlemode fiber, RS422, G.703 and IEEE C37.94.

transformer feeders, and overhead lines with series compensation. Each zone element for the phase and ground distance can be independently set as quad or mho characteristics with the flexibility of designing different characteristic shapes to suit different power system conditions. The advanced comparator-based distance elements provide the utmost security, sensitivity and selectivity for different types of faults. Superior digital filtering techniques provide secure and optimum reach accuracy even under worst-case CCVT transients. Secure directional discrimination is achieved by using positive sequence memory voltage polarization, providing reliable directionality for worst-case close-in faults. Dual distance algorithms deliver exceptional security and speed performance to ensure average operating times of 1.5 cycles for 75% line reach and SIR 30, and <2.5 cycles for 90% line reach and SIR 60.

The L90 can calculate proper fault-distance for a variety of power system conditions and the calculated resistance and the reactance values are available on communication port to be sent to the dispatch center. The L90 can calculate proper fault-distance for a variety of power system conditions and the calculated resistance and the reactance values are available on communication port to be sent to the dispatch center. An additional voltage monitoring function provides extra security to the distance element, which can be used to block the distance elements under voltage source fuse-failure conditions.

In-Zone Transformer Compensation

Phase distance protection in the L90 can be used to detect faults through different types of three-phase wye/delta transformers, allowing application of the L90 for backup protection on generators. VTs and CTs can be installed independently of each other on either side of the power transformer. The relay automatically compensates for transformer connections, to guarantee accurate reach for any type of fault.

Load Encroachment

The load encroachment feature offers discrimination between line loading conditions and fault conditions, especially for long lines under heavy loads by supervising the distance elements or any overcurrent element. This prevents unwanted tripping under heavy line load conditions and enables optimum operation of the line while meeting regulatory requirements for line loading.

Line Pickup (Switch-on-to Fault)

The line pickup feature uses a combination of undercurrent and undervoltage to identify a line that has been de-energized (line end open). Three instantaneous overcurrent elements are used to identify a previously de-energized line that has been closed on to a fault.

Power Swing Detection

Dynamic transients in the power system, due to short-circuits, circuit switching, or load unbalance changes, can travel across the power network as power swings (characterized by fluctuating currents and voltages). This can result in unwanted tripping since distance elements can respond to these power swings as faults. The L90 power swing detection element provides both power swing blocking and out-of-step tripping functions. The element measures the positive sequence apparent impedance and traces its locus with respect to either a two or three-step user-selectable mho or quad operating characteristic. Negative sequence current supervisors provide extended selectivity for detecting evolving faults that may appear as a power swing event (faults with slow moving impedance locus).

Series Compensated Lines

The L90 provides enhanced stability and security by employing an adaptive distance reach control to cope with the overreaching and sub-synchronous oscillations when applied to, or in the vicinity of, series compensated lines. For directional integrity the relay uses memory voltage polarization and a multi-input comparator to deal with current inversion issues in series compensated lines.

Single-Pole Tripping

The L90 relay uses a state-of-the-art dual phase selection algorithm that provides fast and accurate fault type identification even under weak infeed conditions.

Direct Transfer Trip (DTT)

Use the DTT feature of L90 to trip remote breakers. Both single and three-pole DTTs are supported. Up to 32 signals per channel can be sent over pilot communication, selectable through user-configurable logic.

Overvoltage and Undervoltage Protection

Long lines under lightly loaded or no-load conditions may experience voltages exceeding rated per unit voltage level of the line. Use the three-phase overvoltage elements of the L90 to

initiate a local trip as well as a remote trip using Direct Transfer Tripping DTT.

Overcurrent Functions

The L90 provides thermal overload, and time and instantaneous overcurrent elements for phase, neutral, ground, negative sequence, phase and neutral directional. The neutral directional overcurrent element supports enhanced dual polarization modes which can be configured to prioritize on voltage or current polarization. Any of them can run in parallel with primary differential protection or can be programmed to run when the differential element is not available.

TGFD

The Transient Ground Fault Detection (TGFD) function, sometimes referred to as Transient Earth Fault Detection (TEFD), is a technique used to detect the direction of a ground fault in three different grounding systems: ungrounded, resistance grounded, and compensated/resonant ground (i.e. Peterson coil grounded). The advantage of an ungrounded or compensated ground system is that the most common single phase-to-ground fault does not cause fault current to flow, and therefore the system remains operational, enhancing network reliability.

Communication Aided (Pilot) Schemes

L90 supports different teleprotection functions for fast fault clearance for any faults within the protected line. The following types of pilot-aided schemes are available in the L90:

- Direct Underreach Transfer Trip (DUTT)
- Permissive Underreach Transfer Trip for Distance and Current (PUTT)
- Two Permissive Overreach Transfer Trip (POTT)
- Hybrid Permissive Overreach Transfer Trip (HYB POTT), permissive echo and transient blocking logic incorporated
- Directional Comparison Blocking Scheme (DCB)
- Directional Comparison Unblocking Scheme (DCUB)
- Customizable version of the POTT and DCB schemes (POTT1 and DCB1)

Autoreclosing

The L90 provides multi-shot autoreclosing (up to 4 shots) for single or three-pole autoreclose on all types of faults with independent settings for each shot. Any of the autoreclose elements can be dynamically blocked or unblocked by other elements or user logic. This way they can

be coordinated with the L90 protection setting groups. Four different autoreclose operation modes are available, enabling users to select the autoreclosing mode to suit specific applications.

Synchronism Check

The L90 provides ten synchrocheck elements that monitor voltage difference, phase angle difference and slip frequency taking the CB closing time into account to ensure proper breaker closure as per user requirements. Any of the ten synchrocheck elements can be dynamically blocked or unblocked by other elements or user logic. The L90 also provides additional enhancements in synchronizing by allowing synchrocheck verification between local and remote line terminal voltages.

Breaker Failure

The L90 is able to provide fully independent breaker failure protection for the breakers associated to the line when connected to a substation with a breaker-and-a-half or ring bus arrangement. The L90 provides the required elements to perform two independent breaker failure functions.

Harmonic/Inrush detection

The Harmonic detection element monitors the selected 2nd to 5th harmonic or Total Harmonics Distortion (THD), which is present in the phase currents. The relay provides six identical Harmonic detection elements.

During transformer energization or motor starts, the inrush current present in phase currents can impact some sensitive elements, such as negative sequence overcurrent. Therefore, the ratio of the second harmonic to the fundamental magnitude per phase is monitored, while exceeding the settable pickup level, an operand

Topologies:

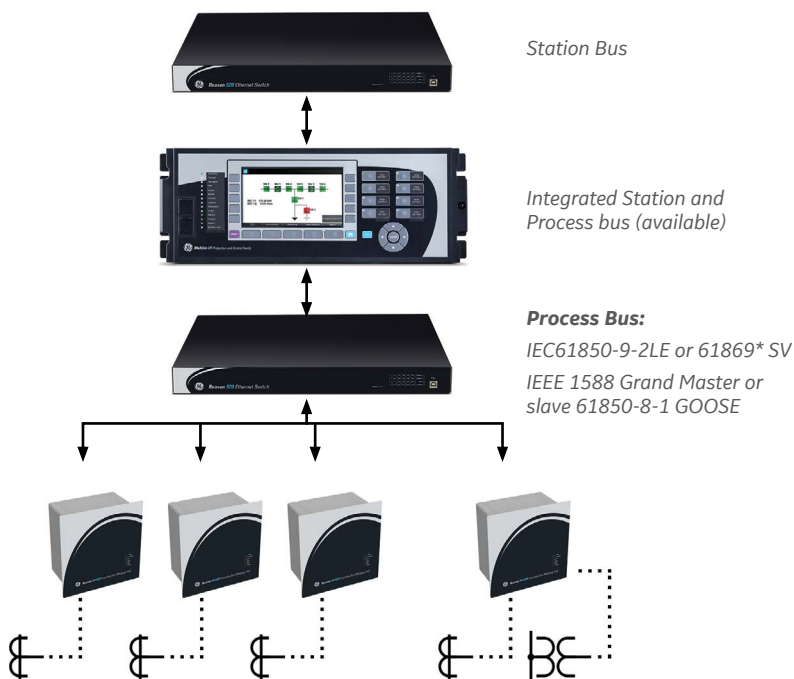
- PRP Star
- Hot-Standby

Topologies:

- HSR Ring
- PRP Star
- P-2-P Process Bus

Merging units

Conventional or Optical CT/VTs



is asserted, which can be used to block such sensitive elements.

Multiple Breaker Configurations

The L90 supports multi-breaker busbar configurations, such as breaker-and-a-half or ring bus arrangements, providing dual breaker autoreclose dual synchrocheck elements, and dual independent breaker failure elements. The design provides secure operation during external faults with possible CT saturation.

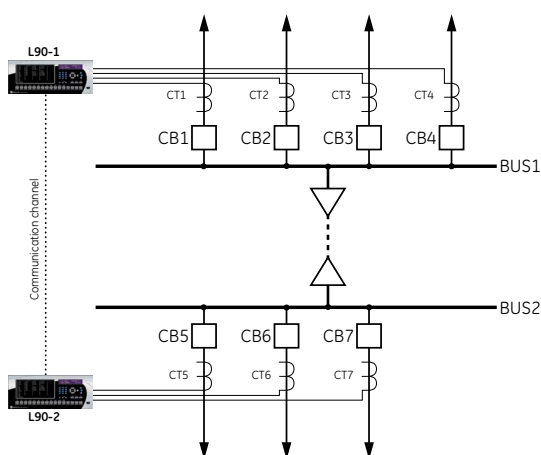
Special Applications - Distributed Busbar

Use the L90's capability of supporting up to 4 directly connected CTs for applications where

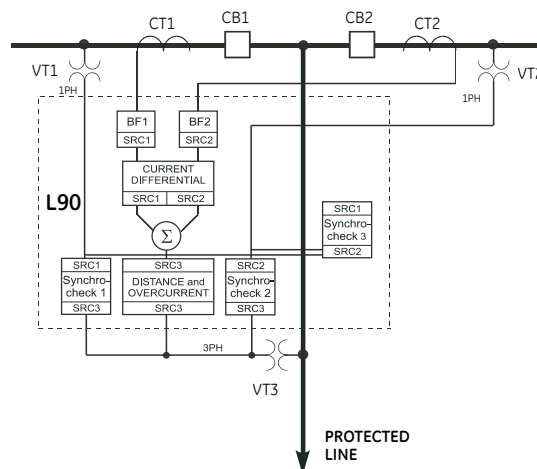
the use of conventional bus differential relaying is not practical or economically feasible. The L90 can be used to protect both line and buses by measuring currents from the feeder CTs as shown. The L90 provides primary protection for both the buses and the circuit connecting them.

IEC 61869 and 61850-9-2LE Process Bus

Three UR process bus modules enable communicating to Merging Units "MU" that comply to either IEC 61869 standard or IEC 61850-9-2LE technical report. MUs connect to the primary asset and translate analog signals and digital status/commands to standard sample values "SV" data and GOOSE messages.



Example of Distributed Bus Differential Protection Application.



L90 Breaker-and-a-Half Application Example.

Flexibility for connecting to different network size and topology is granted through 100Mbps and/or 1Gbps Ethernet port support, plus IEC 62439 PRP or HSR standard redundancy, plus Star, Ring and Point-to-point network support.

For time synchronization purposes, this Process bus module can become an IEEE 1588 slave clock (61850-9-3 profile) or a 1588 Grand Master clock which removes the need of external time sources connected to the process bus network.

Customers who may not be using GE MU devices, could use MU from other vendors. Interoperability with MU from other vendors is expected when they comply to the mentioned standards.

The L90 supports line differential schemes where one line terminal is on Conventional CT/VT wiring and the other/s on process bus

IEC 61850-9-2 HardFiber Process Bus

The IEC 61850 Process Bus module is designed to interface with the Multilin HardFiber™ System, allowing bi-directional IEC 61850 fiber optic communications. The HardFiber System is designed to integrate seamlessly with existing UR applications, including protection functions, FlexLogic, metering and communications.

HardFiber System benefits:

- Communicates using open standard IEC 61850 messaging
- Drastically reduces P&C design, installation and testing labor by eliminating individual copper terminations
- Integrates with existing L90's by replacing traditional CT/VT inputs with the IEC 61850 Process Bus module
- Does not introduce new cyber security concerns

Advanced Automation

The L90 incorporates advanced automation features including powerful FlexLogic™ programmable logic, communication, and SCADA capabilities that far surpass what is found in the average line relay. The L90 integrates seamlessly with other UR relays for complete system protection.

FlexLogic

FlexLogic is the powerful UR-platform programming logic engine that provides the ability to create customized protection and control schemes, minimizing the need and associated costs of auxiliary components and wiring.

With 1024 lines of FlexLogic, the L90 can provide

required tripping and custom scheme logic for line breaker control and interlocking and dynamic setting group changes.

Scalable Hardware

The L90 is available with a multitude of I/O configurations to suit the most demanding application needs. The expandable modular design allows for easy configuration and future upgrades.

- Flexible, modular high density I/O covering a broad range of input signals and tripping schemes
- Mechanically latching outputs can be used to develop secure interlocking applications and replace electromechanical lockout relays

Monitoring and Metering

The L90 includes high accuracy metering and recording for all AC signals. Voltage, current, and power metering are built into the relay as a standard feature. Current and voltage parameters are available as total RMS magnitude, and as fundamental frequency magnitude and angle.

Fault and Disturbance Recording

The advanced disturbance and event recording features within the L90 can significantly reduce the time needed for postmortem analysis of power system events and creation of regulatory reports. Recording functions include:

- Sequence of Event (SOE)
 - 1024 time stamped events
- Oscillography
 - Supports IEEE C37.111-1999/2013, IEC 60255-24 Ed 2.0 COMTRADE standard
 - 128 digital & up to 56 analog channels
 - Events with up to 45s length
- Data Logger and Disturbance Recording
 - 16 channels up to 1 sample/cycle/channel
- Fault Reports
 - Powerful summary report of pre-fault and fault values
- Multi-Ended Fault Location
 - Calculation of fault location on two or three-terminal lines with 2% accuracy

The very high sampling rate and large amount of storage space available for data recording in the L90 can eliminate the need for installing costly stand-alone recording equipment.

Advanced Device Health Diagnostics

The L90 performs comprehensive device health diagnostic tests at startup and continuously during run-time to test its own major functions

and critical hardware. These diagnostic tests monitor for conditions that could impact security and availability of protection, and present device status via SCADA communications and the front panel display. Providing continuous monitoring and early detection of possible issues help improve system uptime.

- Comprehensive device health diagnostic performed at startup
- Monitors the CT/VT input circuitry to validate the integrity of all signals

Multi-range Signal Oscillation Detection (MSOD)

A general purpose multi-range signal oscillation detector (MSOD) meets a broad-range of application needs for detecting power system oscillation. Oscillations are always present in power systems due to the electromechanical nature of the electric grid. However, some oscillations may become poorly or negatively damped, and could lead to system instabilities, equipment damages or system blackout if such oscillations are not detected and proper remedy actions are not taken in time.

Cyber Security – CyberSentry UR

CyberSentry™ is a software option that delivers wide range of cyber security features that help customers to comply with NERC CIP, NIST® IR 7628, IEC 62351 and IEC 62443 cyber security requirements and standards. Additionally secure FW upgrade is granted through UR Setup's digital signature validation capabilities. This software option delivers the following core features:

AAA Server Support (Radius/LDAP)

Enables integration with centrally managed authentication and accounting of all user activities and uses modern industry best practices and standards that meet and exceed NERC CIP requirements for authentication and password management.

Role Based Access Control (RBAC)

Efficiently administrate users and roles within UR devices. The new and advanced access functions allow users to configure up to five roles for up to eight configurable users with independent passwords. The standard "Remote Authentication Dial In User Service" (Radius) is used for authentication.

Event Recorder (Syslog for SEM)

Capture all cyber security related events within a SOE element (login, logout, invalid password attempts, remote/local access, user in session,

settings change, FW update, etc), and then serve and classify data by security level using standard Syslog data format. This will enable integration with established SEM (Security Event Management) systems.

Communications

The L90 provides for secure remote data and engineering access, making it easy and flexible to use and integrate into new and existing infrastructures. Fiber optic Ethernet provides high-bandwidth communications allowing for low-latency controls and high-speed file transfers of relay fault and event record information. The available redundant Ethernet option and the embedded managed Ethernet switch provide the means to create fault tolerant communication architectures in an easy, cost-effective manner.

The L90 supports the most popular industry standard protocols enabling easy, direct integration into monitoring and SCADA systems.

- IEC 61850 Ed. 1 and Ed. 2 Station Bus, IEC 61850-2-2LE / IEC 61869 networked or IEC 61850-9-2 HardFiber Process Bus, and IEC 61850-90-5 PMU over GOOSE support
- DNP 3.0 (serial & TCP/IP)
- Ethernet Global Data (EGD)
- IEC 60870-5-103 and IEC 60870-5-104
- Modbus RTU, Modbus TCP/IP
- HTTP, TFTP, SFTP and MMS file transfer
- IEEE 1588 and redundant SNTP for time synchronization
- PRP as per IEC 62439-3
- IEC61850 GOOSE, Routable GOOSE and legacy UCA fixed GOOSE

Interoperability with Embedded IEC 61850 Ed. 1 and Ed. 2

The new IEC 61850 implementation in the UR Family positions GE as an industry leader in this standard.

- Implements, user selectable, Ed. 1 and Ed. 2 of the standard across the entire UR Family
- Provides full relay setting management via standard SCL files (ICD, CID and IID)
- Enables automated relay setting management using 3rd party tools through standard file transfer services (MMS and SFTP)
- Increases the number of Logical Devices and data mapped to them, GOOSE messages from up to 64 remote devices, and reports to support different organizational needs for data transfer and reduce dependency on generic logical nodes

- Configures GE Systems based on IEC 61850 using universal 3rd party tools
- Multicast IEEE C37.118 synchrophasor data between PMU and PDC devices using IEC 91850-90-5
- R-GOOSE enable customer to send GOOSE messages beyond the substation, which enables WAPC and more cost effective communication architectures for wide area applications

LAN Redundancy

Substation LAN redundancy has been traditionally accomplished by reconfiguring the active network topology in case of failure. Regardless of the type of LAN architecture (tree, mesh, etc), reconfiguring the active LAN requires time to switchover, during which the LAN is unavailable. UR devices deliver redundancy as specified by PRP-IEC 62439-3, which eliminates the dependency on LAN reconfiguration and the associated switchover time. The UR becomes a dual attached node that transmits data packets over both main and redundant networks simultaneously, so in case of failure, one of the data packets will reach the receiving device with no time delay.

Multi-Language

UR devices support multiple languages: English, French, Russian, Chinese, Turkish, German, Polish and Japanese. These language options are available on the front panel, in the EnerVista setup software, and in the product manuals. Easily switch between English and an additional language on the local displays without uploading new firmware.

EnerVista Software

The EnerVista suite is an industry-leading set of software programs that simplifies every aspect of using the L90 relay. The EnerVista suite provides all the tools to monitor the status of the protected asset, maintain the relay, and integrate information measured by the L90 into DCS or SCADA monitoring systems. Convenient COMTRADE and SOE viewers are an integral part of the UR setup software included with every UR relay, to carry out postmortem event analysis and ensure proper protection system operation. UR Setup also provides an export/import setting file tool which allows customer to transfer specific settings from one file to another. This tool also provides comprehensive setting file comparison. These features, together with UR single setting file, help users to simplify their setting file management experience.

EnerVista Launchpad

EnerVista Launchpad is a powerful software package that provides users with all of the setup and support tools needed for configuring and maintaining Multilin products. The setup software within Launchpad allows for the configuration of devices in real-time by communicating via serial, Ethernet, or modem connections, or offline by creating setting files to be sent to devices at a later time.

Included in Launchpad is a document archiving and management system that ensures critical documentation is up-to-date and available when needed. Documents made available include:

- Manuals & Brochures
- Application Notes
- Guideform Specifications
- Wiring Diagrams
- FAQ's
- Service Bulletins

Viewpoint Monitoring

Viewpoint Monitoring is a simple-to-use and full-featured monitoring and data recording software package for small systems. Viewpoint Monitoring provides a complete HMI package with the following functionality:

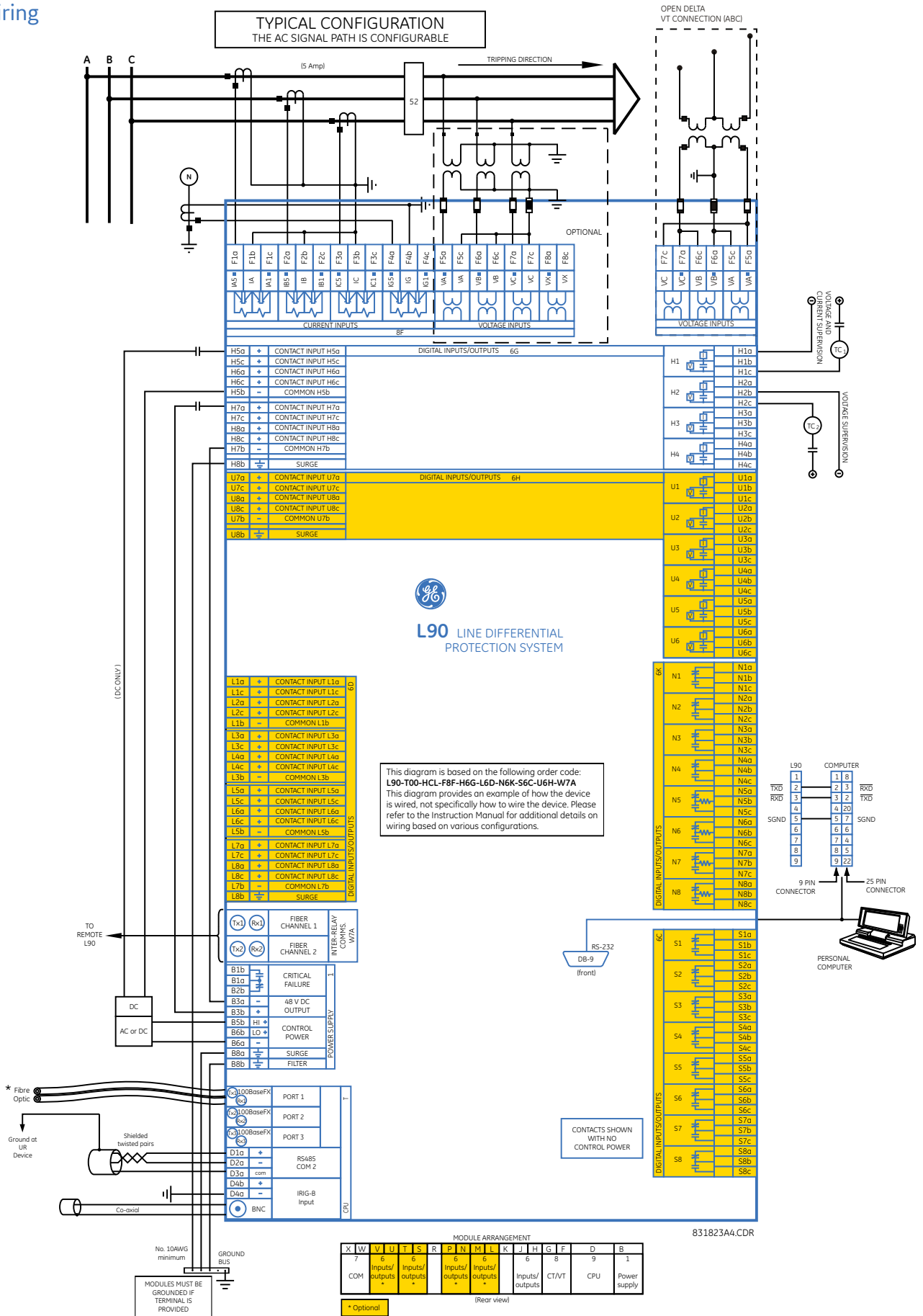
- Plug-&-Play Device Monitoring
- System Single-Line Monitoring & Control
- Annunciator Alarm Screens
- Trending Reports
- Automatic Event Retrieval
- Automatic Waveform Retrieval

User Interface

The L90 front panel provides extensive local HMI capabilities. The local display is used for monitoring, status messaging, fault diagnosis, and device configuration. User-configurable messages that combine text with live data can be displayed when user-defined conditions are met.

A 7" color, graphic HMI is optionally available that allows users to have customizable bay diagrams with local monitoring of status, values and control functionality. The alarm annunciator panel provides the configuration of up to 96 signals (alarms and status) with full text description.

Typical Wiring



Ordering

	L90 ¹ - * 00 - H * * - F ** - H ** - L ** - N ** - S ** - U ** - W / X **	For Horizontal Mount
Base Unit	L90	Base Unit
CPU	T U V W	RS485 + three multimode SFP LC 100BaseFX RS485 + two multimode SFP LC 100BaseFX + one SFP RJ45 100BaseT RS485 + three SFP RJ45 100BaseT RS485 + two 100BaseFX Eth, Multimode ST + one 10/100BaseT Eth, RJ-45 ⁴
Software Options ²	00 02 03 05 06 07 08 09 24 25 26 27 A0 B0 C0 D0 M0 RM RS AS	No Software Options Breaker and Half software IEC 61850 Breaker and Half + IEC 61850 Phasor Measurement Unit (PMU) IEC 61850 + Phasor Measurement Unit (PMU) Breaker & Half + Phasor Measurement Unit (PMU) Breaker & Half + IEC 61850 + Phasor Measurement Unit (PMU) In-zone TX protection In-zone TX protection + IEC 61850 In-zone TX protection + PMU In-zone TX protection + IEC 61850 + PMU CyberSentry UR Lvl 1 IEEE 1588 PRP IEEE 1588 + CyberSentry UR Lvl 1 IEC 61850 + PMU + 61850-90-5 IEC60870-5-103 + IEEE1588 + PRP + CyberSentry UR Lvl 1 + IEC61850 + Subcycle distance package IEC60870-5-103 + IEEE1588 + PRP + IEC61850 + Subcycle distance package IEC60870-5-103 + IEEE1588 + PRP + IEC61850 + CyberSentry UR Lvl 1 + MSOD
Mount / Coating	H A V B	Horizontal (19" rack) - Standard Horizontal (19" rack) - Harsh Chemical Environment Option Vertical (3/4 size) - Standard Vertical (3/4 size) - Harsh Chemical Environment Option
User Interface	E F I J K L M N Q T U V W Y H O Z X	7" Graphical display, USB front port & programmable pushbuttons - Multi-Language (FW 7.6x or higher) Vertical Front Panel with English Display Enhanced German Front Panel Enhanced German Front Panel with User-Programmable Pushbuttons Enhanced English Front Panel Enhanced English Front Panel with User-Programmable Pushbuttons Enhanced French Front Panel Enhanced French Front Panel with User-Programmable Pushbuttons Enhanced Russian Front Panel Enhanced Russian Front Panel with User-Programmable Pushbuttons Enhanced Chinese Front Panel Enhanced Chinese Front Panel with User-Programmable Pushbuttons Enhanced Turkish Front Panel Enhanced Turkish Front Panel with User-Programmable Pushbuttons Enhanced Polish Front Panel ⁴ Enhanced Polish Front Panel with User-Programmable Pushbuttons ⁴ Enhanced Japanese Front Panel ⁴ Enhanced Japanese Front Panel with User-Programmable Pushbuttons ⁴
Power Supply ³	H H L	RH 125/250 V AC/DC with redundant 125/250 V AC/DC 24 - 48 V (DC only)
CT/VT DSP		Standard 4CT/4VT w/ enhanced diagnostics Standard 8CT w/ enhanced diagnostics
IEC 61850 Process Bus ^{5,6}		8 Port IEC 61850 Process Bus Module -9-2LE & 61869 Process Bus, 2 x 1000BaseF -9-2LE & 61869 Process Bus, 4 x 1000BaseF + 4 x 100BaseF -9-2LE & 61869 Process Bus, 4 x 100BaseF
Digital I/O		No Module 4 Solid State (No Monitoring) MOSFET Outputs 4 Solid State (Current w/opt Voltage) MOSFET Outputs 16 Digital Inputs with Auto-Burnish 14 Form-A (No Monitoring) Latchable Outputs 8 Form-A (No Monitoring) Outputs 8 Form-C Outputs 16 Digital Inputs 4 Form-C Outputs, 8 Digital Inputs 8 Fast Form-C Outputs 4 Form-C & 4 Fast Form-C Outputs 2 Form-A (Current w/ opt Voltage) & 2 Form-C Outputs, 8 Digital Inputs 2 Form-A (Current w/ opt Voltage) & 4 Form-C Outputs, 4 Digital Inputs 4 Form-A (Current w/ opt Voltage) Outputs, 8 Digital Inputs 6 Form-A (Current w/ opt Voltage) Outputs, 4 Digital Inputs 2 Form-A (No Monitoring) & 2 Form-C Outputs, 8 Digital Inputs 2 Form-A (No Monitoring) & 4 Form-C Outputs, 4 Digital Inputs 4 Form-A (No Monitoring) Outputs, 8 Digital Inputs 6 Form-A (No Monitoring) Outputs, 4 Digital Inputs 2 Form-A (Cur w/ opt Volt) 1 Form-C Output, 2 Latching Outputs, 8 Digital Inputs 30 Contact Inputs - Pin Terminals ⁴ 18 Form-A (No Monitoring) Outputs - Pin Terminals ⁴
Transducer I/O		4 dcmA Inputs, 4 dcmA Outputs 8 dcmA Inputs
Inter-Relay Communications		2B C37.94SM, 1300nm singlemode, ELED, 2 Channel singlemode 2I Channel 1 - IEEE C37.94, 820nm, multimode fiber, 64/128 kbps; Channel 2 - 1300 nm, singlemode, LASER 2J Channel 1 - IEEE C37.94, 820nm, multimode fiber, 64/128 kbps; Channel 2 - 1550 nm, singlemode, LASER 7B 1300 nm, multimode, LED, 1 Channel 7C 1300 nm, singlemode, ELED, 1 Channel 7H 820 nm, multimode, LED, 2 Channels 7I 1300 nm, multimode, LED, 2 Channels 7J 1300 nm, singlemode, ELED, 2 Channels 7S G.703, 2 Channels 7V RS422, 2 Channels, Dual Clock 7WRS422, 2 Channels 73 1550 nm, singlemode, LASER, 2 Channel 76 IEEE C37.94, 820 nm, multimode, LED, 1 Channel 77 IEEE C37.94, 820 nm, multimode, LED, 2 Channel

Ordering Notes:

- For vertical mounting order codes, please visit our [online store](#)
- To view all the options available for L90, please visit GE's Online Store: <http://store.gedigitalenergy.com/viewprod.asp?model=L90>
- Redundant power supply only available in horizontal unit. If redundant is chosen, must be same type. Maximum 2 per chassis.
- Option available soon
- Process bus module requires empty slots next to it.
- Conventional DSP and Process Bus modules cannot run simultaneously

GEGridSolutions.com

IEC is a registered trademark of Commission Electrotechnique Internationale. IEEE is a registered trademark of the Institute of Electrical Electronics Engineers, Inc. Modbus is a registered trademark of Schneider Automation. NERC is a registered trademark of North American Electric Reliability Council. NIST is a registered trademark of the National Institute of Standards and Technology.

GE, the GE monogram, Multilin, FlexLogic, EnerVista and CyberSentry are trademarks of General Electric Company. GE reserves the right to make changes to specifications of products described at any time without notice and without obligation to notify any person of such changes.

Copyright 2023, General Electric Company. All Rights Reserved.

GEA-12589K(EN)
English
230413

