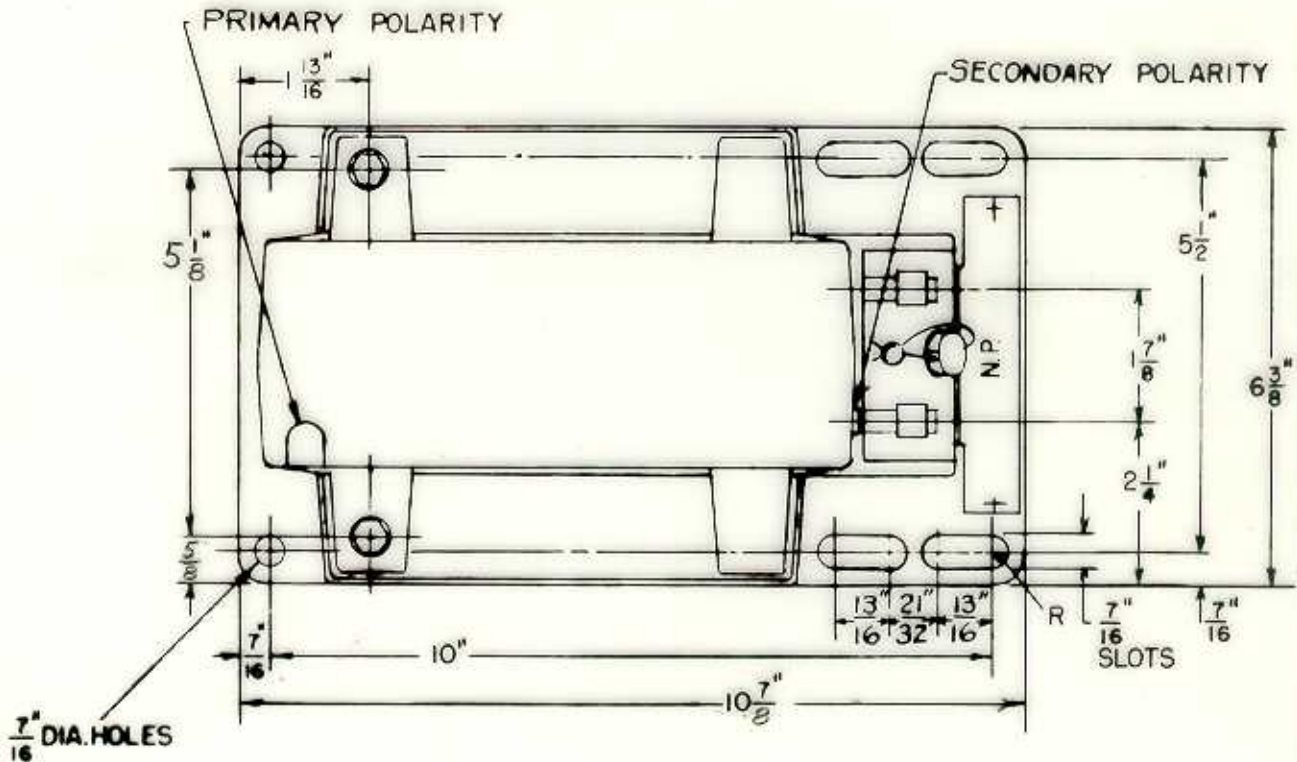


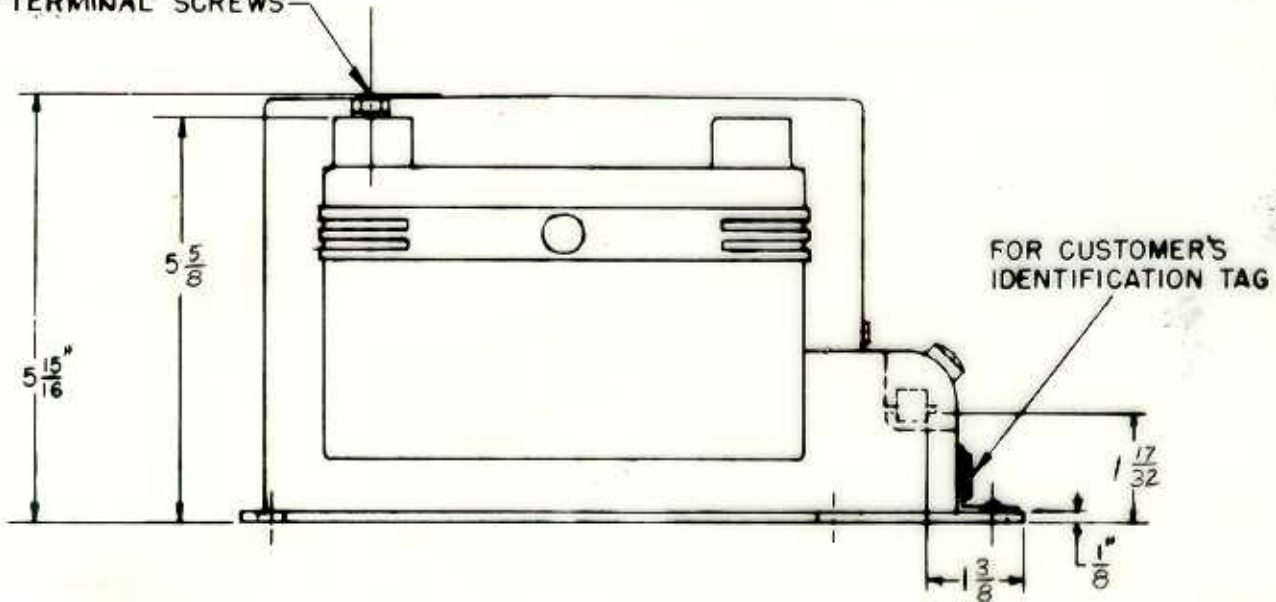
REV. NO. A-8949739
CONT. ON SHEET SH. NO.

TITLE
OUTLINE
FIRST MADE FOR TYPE JVM-3 POT. TRANS.

REVISIONS



1/4"-20 PRIMARY
TERMINAL SCREWS



6 REVISION - REPRODUCED
JULY 21, 1970 WITH OUT CHG.

8917
PRINTS TO

MADE BY
O.R. HINKEL JULY 23, 1956
ISSUED
C. Bligh July 21, 1970

APPROVALS

METER DEPT.
SOMERSWORTH, N. H.

DIV OR DEPT
A-8949739
LOCATION CONT. ON SHEET SH. NO.