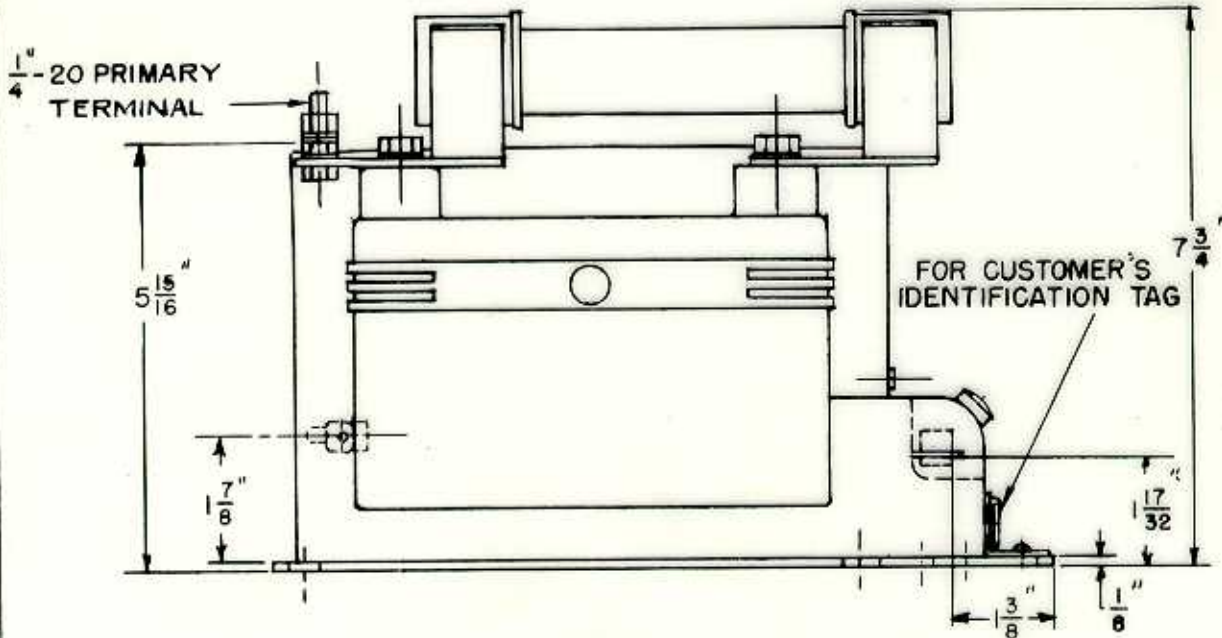
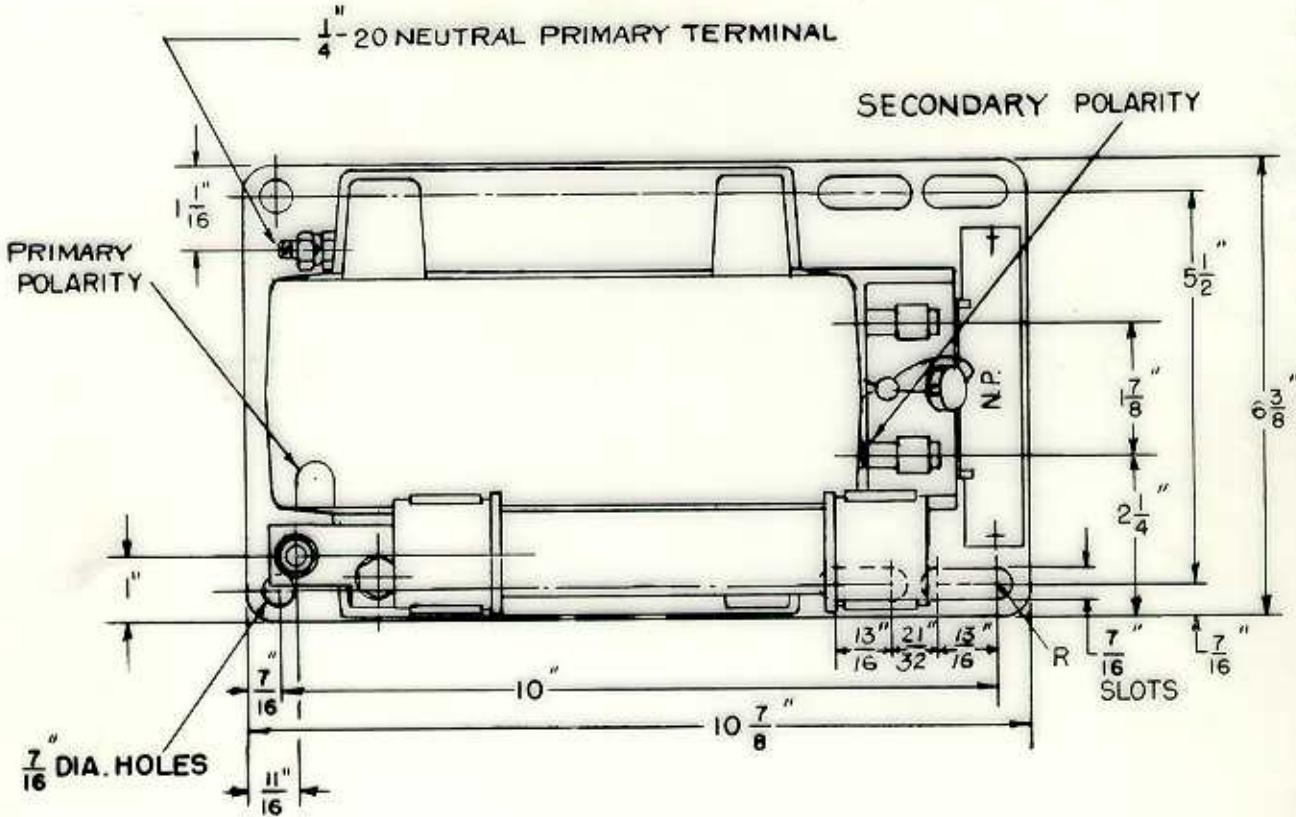


REV. NO.  
**K-8949740**  
 CONT. ON SHEET SH. NO.

TITLE  
**OUTLINE**  
 FIRST MADE FOR TYPE JVM-3POT. TRANS.

REVISIONS



NO.	REVISIONS
7	BERGSTROM-REDRANN MAR 11, 1970 W/OUT CHG
	8917
	PRINTS TO

MADE BY  
**O.R. HINKEL** JULY 23, 1956  
 ISSUED  
*A. Bergstrom* MAR 10, 1970

APPROVALS  
**METER DEPT.**  
**SOMERSWORTH, N. H.**

DIV. OR DEPT.  
**K-8949740**  
 LOCATION CONT. ON SHEET SH. NO.