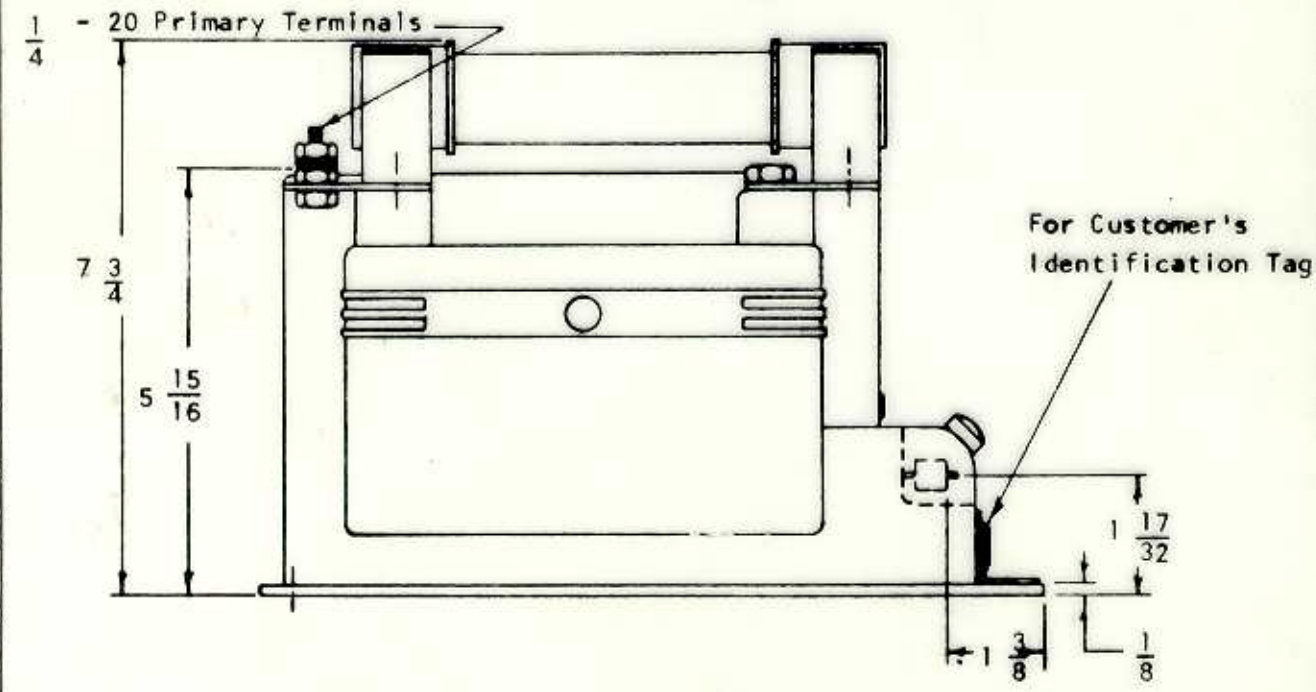
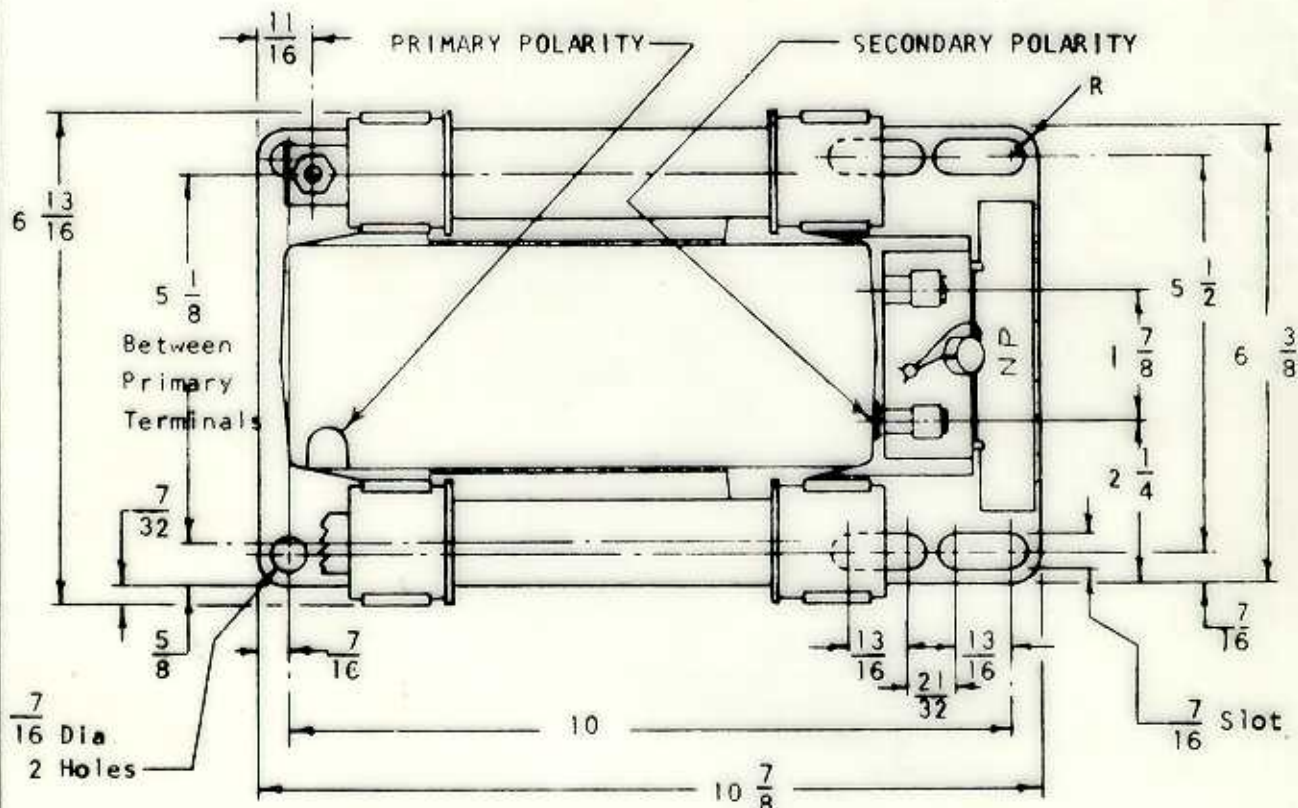


RT. NO. **A-8949741**

TITLE **OUTLINE**

FIRST MADE FOR **TYPE JVM-3 POTENTIAL TRANSFORMERS**

REVISIONS



BERGSTROM-REDRAWN
MAY 11, 1970 WITH OUT CHANGE

89 IT
PRINTS TO

MADE BY **O.R. HINKLE, July 23, '56.**

SSUEC **L. Bergstrom MAR. 11, 1970**

APPROVALS

METER DEPARTMENT

SOMERSWORTH, N. H.

A-8949741

CON: 1 SHEET