

REV NO.

TITLE

OUTLINE

A-8949761

CURRENT TRANSFORMER

CONT ON SHEET

SH NO.

FIRST MADE FOR TYPE JCS-0 TRANS-DBL RATIO

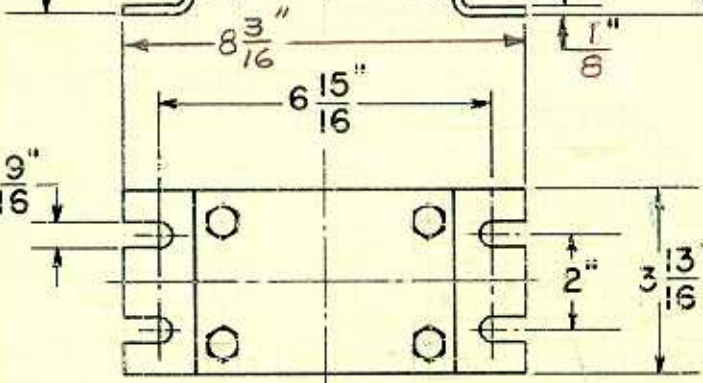
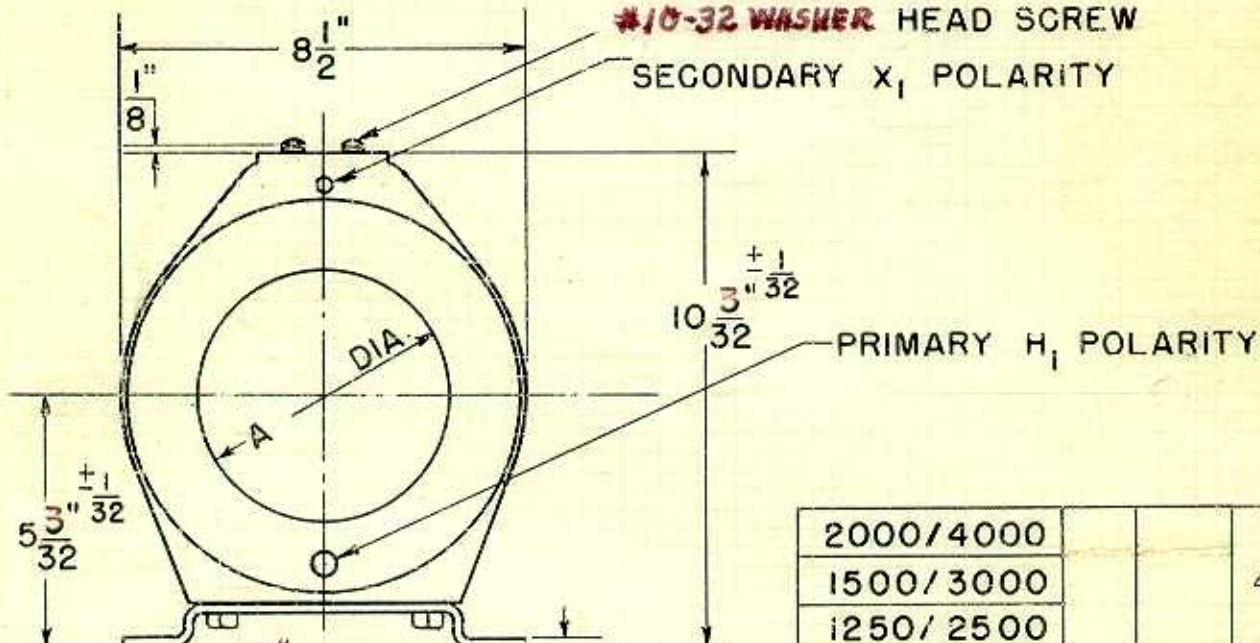
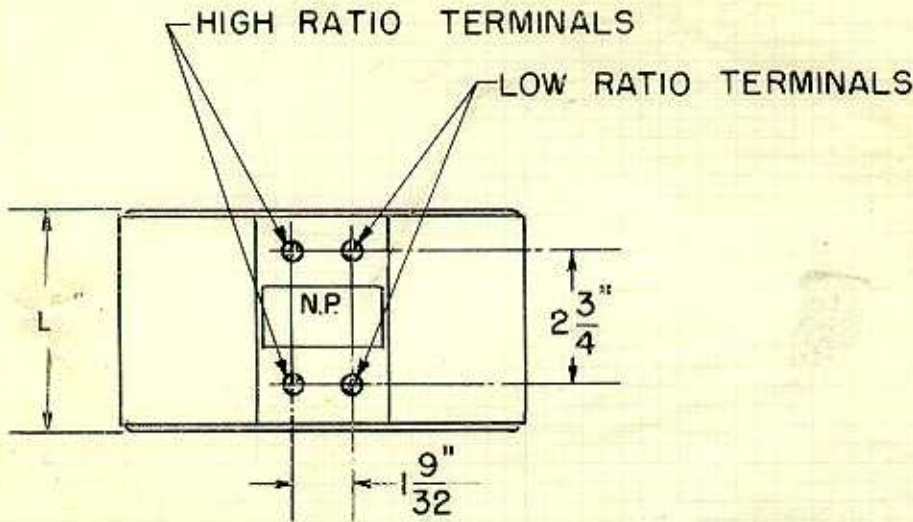
REVISIONS

4	MM VALLEY JUNE 24, 1964	EC 4078 4079A REVISED
5	BROOKSTON DEC 23 1968	EC 4089 REVISED

6	J.A. QUINN JR. MAY 7, 1958	DEC 15-3776
7	J.A. QUINN JR. MAY 12, 1958	DEC 15-3779

8	CANNON EC 44184 JUNE 10, 1974	REVISED
---	----------------------------------	---------

PRINTS TO
CGE-T
89IT
~~150~~



2000/4000			
1500/3000			4 5/8
1250/2500			
1000/2000	:5	5 1/4	
750/1500			
600/1200			
500/1000			4 1/4
400/800			
300/600			
250/500	:5	4 3/4	
200/400			
RATIO		A	L

BASE MOUNTING DIMENSIONS

MADE BY *J. G. Quinn Jr.* Dec. 10, 1956
ISSUED BY *P. A. Ferris* March 7, 1958

APPROVALS

METER DEPARTMENT
SOMERSWORTH, N.H.

DIV. OR DEPT.

LOCATION

A-8949761

CONT ON SHEET

SH NO.