



A-8949762

CONT ON SHEET

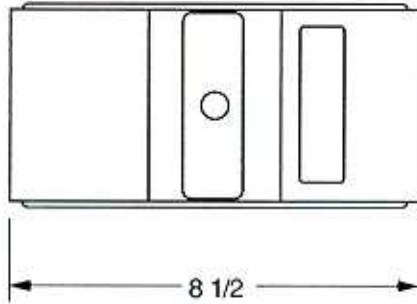
SH NO.

TITLE

Outline Current Transformer

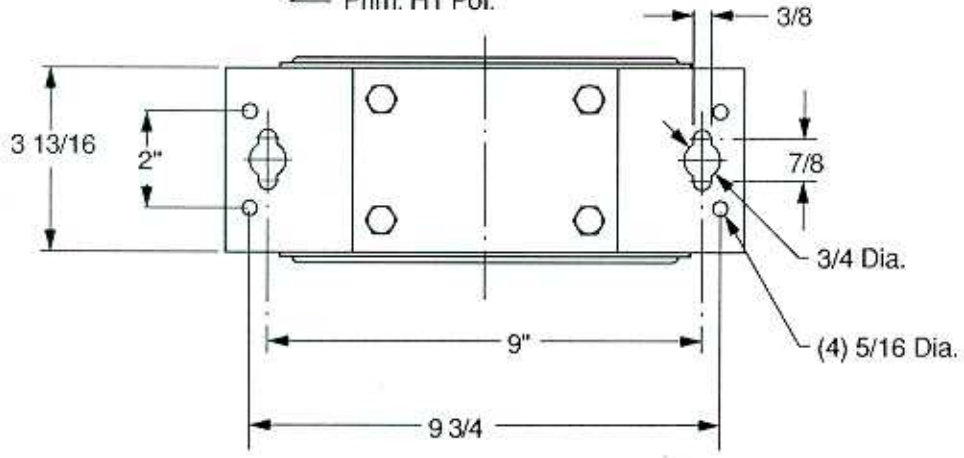
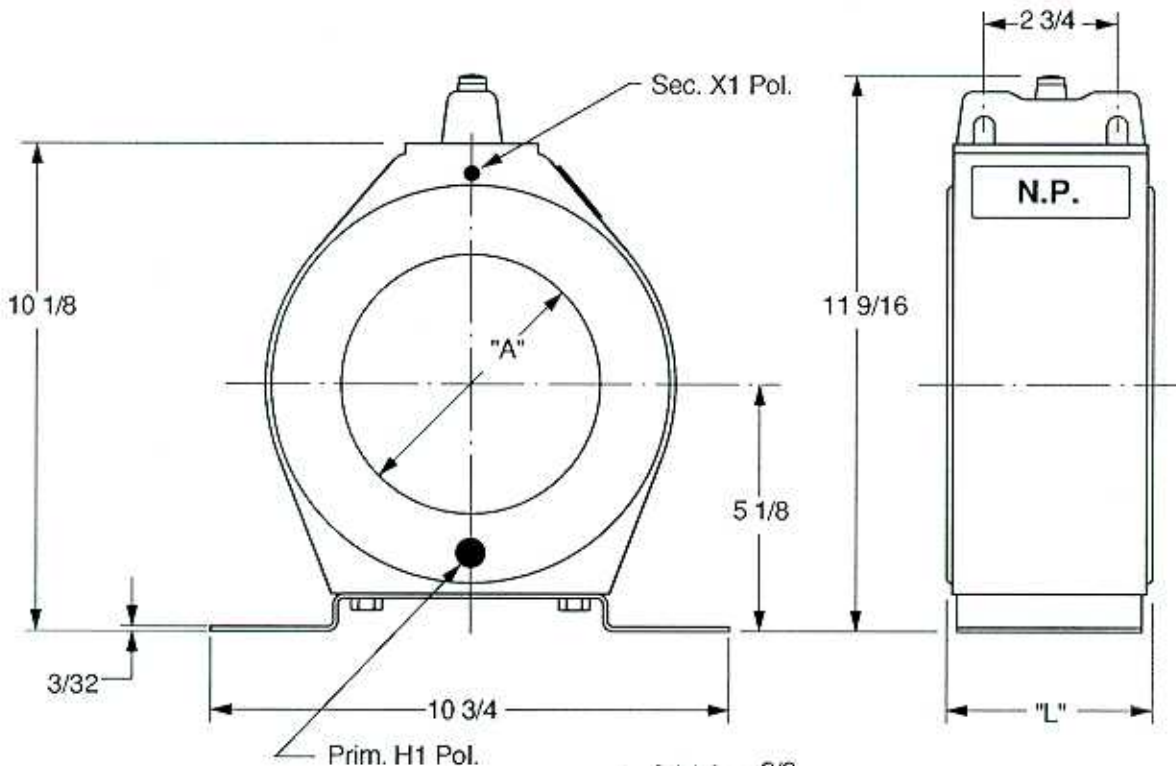
FIRST MADE FOR

JCP-0



Current Rating Amp.	" A " Dia.	" L " Dim.
100 - 600	4 3/4	4 1/4
800 - 2500	5 3/8	4 1/4
3000 - 4000	5 3/8	4 5/8

REVISIONS



11 Redrawn W/Chg.EC 92-NP797

IT

PRINTS TO

Made By
A.J. Quinn Dec. 10, 1956

Revised By
Irving Bergstrom Dec. 22, 1992

APPROVALS
D.S.
12/17/92

General Electric Co.
Somersworth N.H.

A-8949762

CONT ON SHEET SH NO.

NP Mac. (NamePlates:A,B,C Size Dwg:A8949762)