

Model 3VTL460

3-Phase Voltage Transformer For Line-to-Line Connection

Frequency

60 Hz.

Standard Secondary Voltage

120 Volts line-to-line

Insulation Level

600 Volt, 10 kV BIL full wave.

Accuracy Class: (Per Phase)

0.6 W, 1.2 X at 60 Hz.

Thermal Rating: (Per Phase)

150 VA at 30°C. amb., 100 VA at 55°C. amb.

The primary and secondary terminals are No. 8-32 screws into 1/2" deep brass inserts and fitted with one lockwasher and flatwasher.

Approximate weight 24 lbs.



Clear Plastic Cover



REGULATORY AGENCY APPROVALS



Manufactured to meet the requirements of ANSI/IEEE C57.13.
Classified by U.L. in accordance with IEC 44-1

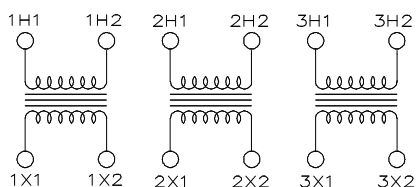
Model 3VTL460

Catalog Number	Line to Line Voltage Rating	Turns Ratio	Rec. Primary Fuse Rating
3VTL460-120	120:120	1:1	4.0
3VTL460-208	208:120	1.73:1	2.0
3VTL460-240	240:120	2:1	2.0
3VTL460-288	288:120	2.4:1	1.5
3VTL460-480	480:120	4:1	1.0
3VTL460-600	600:120	5:1	0.75

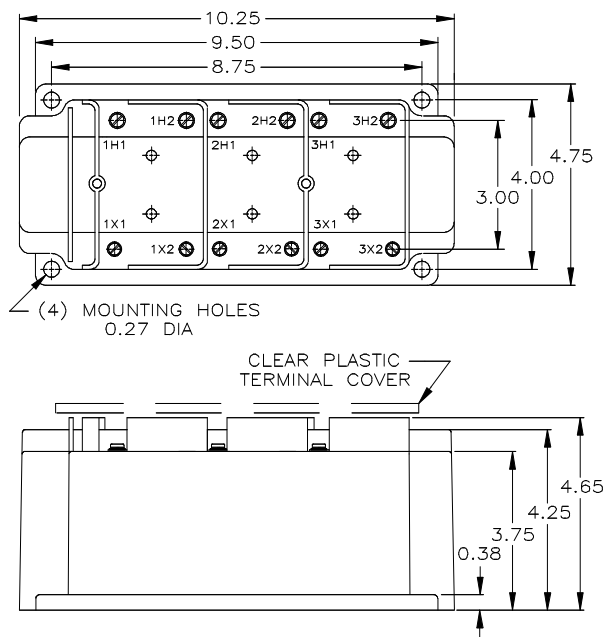


Model 3VTL460

- Model 3VTL460 is an assembly of three transformers in one case.
- The core and coil assembly is encased in a thermoplastic shell and filled with resin
- These transformers are designed for operation line to line. All terminals are accessible.
- Spacing between live parts per U.L. 1558.
- See page 7 of this section for a circle diagram for the estimation of the errors for other than rated burdens. See page 27 in this section for a description of its use.
- The transformer has a clear plastic cover.



Connection Diagram



GEGridSolutions.com

ITI-Model-3VTL460-Flyer-EN-2017-11-Grid-AIS-1411. © Copyright 2017. General Electric Company and Instrument Transformers LLC reserve the right to change specifications of described products at any time without notice and without obligation to notify any person of such changes.

Worldwide Contact Center

Web: www.GEGridSolutions.com/contact

Phone: +44 (0) 1785 250 070

USA and Canada: +1 (0) 800 547 8629

Europe, Middle East and Africa: +34 (0) 94 485 88 00

