



GE-ITI

IEC Indoor Voltage Transformer

GV2F-A, GV2F-B Series GV4F-A, GV4F-B Series



TYPE "A" SHOWN

- Single Pole W/Primary Fuse
- Cast Resin Construction
- 12 & 24kV
- Single & Dual Windings Available
- Dimensions Per DIN 42600 Part 9

Type	GV2F-A, GV2F-B	GV4F-A, GV4F-B
Operating Voltage (Maximum)	12 kV	24 kV
Rated Power-Frequency Withstand voltage (1 Minute)	28 kV	50 kV
Rated Impulse Test Voltage (BIL)	75 kV	125 kV
Rated Frequency	50/60 Hz	
Primary Rated Voltage	11/ $\sqrt{3}$ kV	22/ $\sqrt{3}$ kV
Secondary Rated Voltage	100/ $\sqrt{3}$ V, 110/ $\sqrt{3}$ V & 120/ $\sqrt{3}$ V	
Rated Burden for Measuring Class	0.2	20 (30) VA
	0.5	60 (100) VA
	1.0	100 (150) VA
Rated Thermal Limiting Output	400 VA / 4A	
Rated Burden for Protection Class 3P	60 - 100 VA	
Rated Voltage Factor / 8h	1.9	
Thermal Burden Rating of Winding for Earth-Fault Detection	4A	
Insulation Class	E	
Ambient Temperature	-5 +40 Degrees C	
Altitude	1000 m	
Standard	IEEE 60044-2 (Also available to meet other standards)	
Weight (Approx.)	26 kg	35 kg



Part Number Configurator

**	**	**	**	*	**	**
_____	_____	_____	_____	_____	_____	_____
Type	Primary Voltage	Secondary Voltage Winding 1	Secondary Voltage Winding 2	RVF	Accuracy Secondary Winding #1	Accuracy Secondary Winding #2
Table 1	Table 2	Table 3	Table 3	Table 4	Table 5	Table 5

Part Number Example: PX15ABAA3ACAA

Type	GV2F-A
Operating Voltage (maximum)	12kV
Rated Power Frequency Withstand Voltage (1 Minute)	28kV
Rated Impulse Test Voltage (BIL)	75kV
Primary Voltage	6.6/√3
Secondary 1	100/√3
Secondary 2	N/A
RVF	1.5, 30 Sec
Accuracy 1	0.2 (10VA), 0.5 (60VA), 1.0 (100 VA)
Accuracy 2	N/A

Ordering Code Tables

Table 1 - Type

Type	Ordering Code	Max. Operating Voltage (kV)	Power Frequency Withstand (kV)	Rated Impulse Test Volt (kV)
GV2F-A	PX	12	28	75
GV2F-B	PY	12	28	75
GV4F-A	PU	24	50	125
GV4F-B	PV	24	50	125

Table 2 - Primary Voltage

Primary Volts	Ordering Code	Primary Volts	Ordering Code
6	02	6/√3	13
6.3	03	6.3/√3	14
6.6	04	6.6/√3	15
10	05	10/√3	16
11	06	11/√3	17
13.8	24	13.8/√3	25
15	07	15/√3	18
20	08	20/√3	19
22	09	22/√3	20
None	01		

Table 3 - Secondary Voltage

Secondary Volts	Ordering Code
100/√3	AB
100/√3 with 100/3 Tap	AC
100/3	AD
110/√3	AE
110/√3 with 110/3 Tap	AF
110/3	AG
100	AH
100 with 100/√3 Tap	AJ
110	AK
110 with 110/√3 Tap	AL
115/√3	AM
115/√3 with 115/3 Tap	AN
115/3	AP
115	AQ
115 with 115/√3 Tap	AR
None	AA



Table 4 - RVF

Rated Voltage Factor	Time	Ordering Code
1.2	Continuous	2
1.5	30 Sec	3
1.9	30 Sec	4
1.9	8 Hrs	5

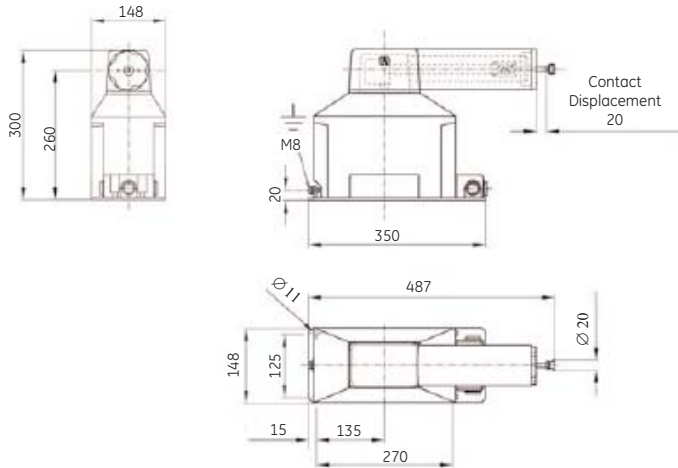
Table 5 - Accuracy

Type	Measuring						Protection Class			
	Class	Burden (VA) - Single Winding			Burden (VA) - Dual Winding		Class	Burden (VA)		
GV2F-A & B GV4F-A & B	0.2	20	30			10/10	15/15	3P	60	100
	0.5	60	100			30/30	50/50			
	1.0	100	150			50/50	75/75			
	None	AA								
	Code	AJ	AP	AP		AS	AV		BA	BC

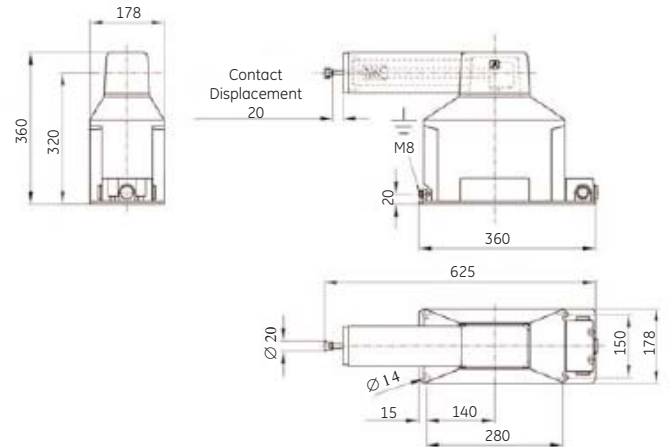
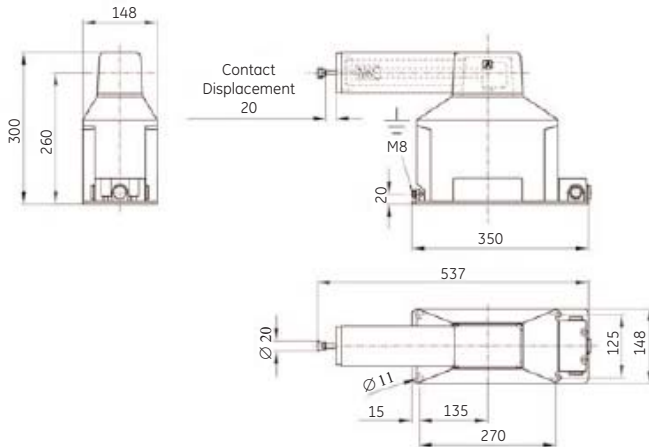
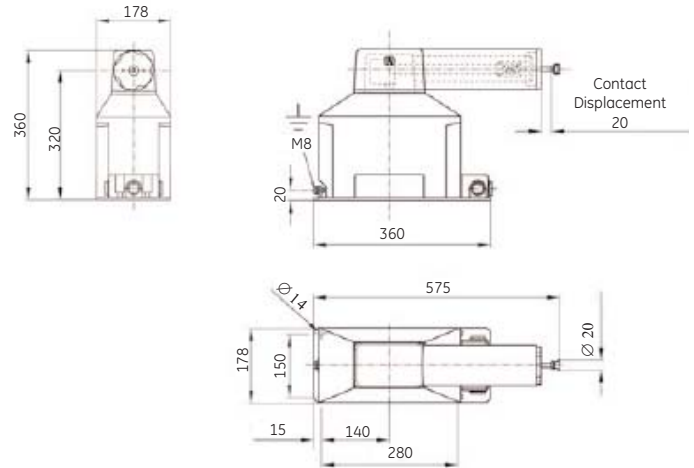


IEC Indoor Voltage Transformer

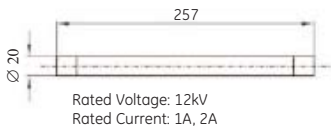
GV2F-A



GV4F-A

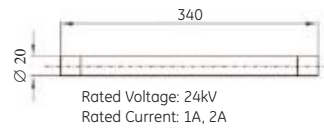


Protection Fuse for Voltage Transformers:



Legend	Torque Nm
Secondary Terminal M5	2-2.5
Ground Terminal M8	16-20

Protection Fuse for Voltage Transformers:



Legend	Torque Nm
Secondary Terminal M5	2-2.5
Ground Terminal M8	16-20

GV2F-B

GV4F-B

North America/Worldwide
Toll Free: +1-800-547-8629 (NA Only)
Tel: +1-905-294-6222
Fax: +1-905-201-2098
e-mail: gemultilin@ge.com

ASIA
Tel: +86-21-2401-3208
Fax: +86-21-5423-5080
e-mail: gemultilin@ge.com

Europe, Middle East, Africa
Tel: +34-94-485-88-54
Fax: +34-94-485-88-35
e-mail: gemultilin.euro@ge.com

Please refer to our website www.GEDIGITALENERGY.COM for more detailed contact information