

# Model JVW-110C

## Outdoor Voltage Transformer 110 kV BIL, 15 kV NSV

### Application

Designed for indoor service; suitable for operating meters, instruments, relays, and control devices.

### Insulation Level

15.5 kV Maximum System Voltage;  
110 kV BIL per IEEE C57.13

### Thermal Rating

30 °C Rise Above 30 °C Ambient.....1,000 VA  
55 °C Rise Above 50 °C Ambient.....750 VA

### Frequency

60 Hz



### Dimensions and Weight

Height: 15.65"  
Depth: 13.36"  
Width: 11.50"  
Weight (Approximate).....62 lbs

### General Information

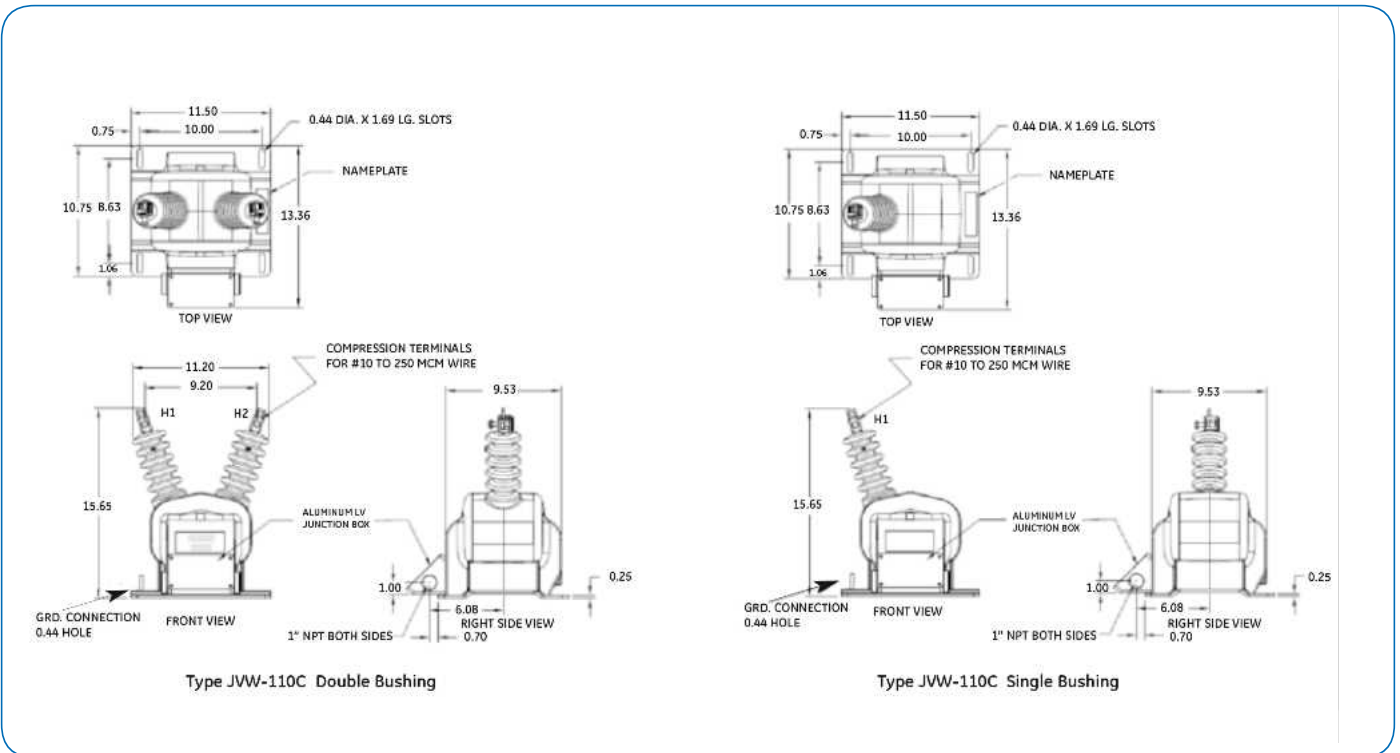
The JVW-110C is manufactured in GE's Clearwater, FL. plant utilizing state-of-the-art Automated Pressure Gelation (APG) processes and Hydrophobic Cycloaliphatic Epoxy (HCEP) for the entire line of 15 kV outdoor voltage transformers. Insulation levels meet or exceed those specified in IEEE C57.13 and CSA CAN3-C13. Dimensions meet IEEE C12.11. Superior designs, HCEP epoxy, and APG processes are combined to create a superior product. Benefits of HCEP over CEP include lower leakage currents, lower flashover probability, less discharge activity, less erosion from ultra violet (UV) radiation, enhanced thermal cycle resistance, and ultimately better reliability and improved life expectancy.

### JVW-110C

Rated Primary Voltage	Ratio	IEEE Metering Accuracy	Rated Voltage Factor	Thermal Rating (VA @ 30 °C. amb)	Catalog Number
<b>Single Bushing</b>					
7,200/12,470GY	60:1	0.3 W, X, M, Y	1.1	1,000	765C131101
7,620/13,200GY	63.5:1	0.3 W, X, M, Y	1.1	1,000	765C131102
8,400/14,560GY	70:1	0.3 W, X, M, Y	1.1	1,000	765C131103
<b>Double Bushing</b>					
7,200/12,470GY	60:1	0.3 W, X, M, Y	1.1	1,000	765C131201
7,620/13,200Y	63.5:1	0.3 W, X, M, Y	1.1	1,000	765C131202
8,400/14,560Y	70:1	0.3 W, X, M, Y	1.1	1,000	765C131203
12,000/1,2000Y	100:1	0.3 W, X, M, Y	1.1	1,000	765C131204
13,200/13,200Y	110:1	0.3 W, X, M, Y	1.1	1,000	765C131205
14,400/14,400Y	120:1	0.3 W, X, M, Y	1.1	1,000	765C131206



## Type JVW-110C Single Bushing



### General Construction

- Insulation - Hydrophobic Cycloaliphatic Epoxy (HCEP)
- Baseplate - Heavy gage marine grade aluminum
- Conduit box - Cast aluminum, removable, 1" threaded hubs
- Nameplate - Anodized aluminum
- Mounting - Horizontal, Vertical, Inverted

### HCEP Resin Features

- Ideal for outdoor applications
- Excellent water repellent characteristics
- High mechanical properties
- Excellent dielectric properties - stable in outdoor humid conditions
- Enhanced thermal cycle resistance
- High resistance to erosion from ultra violet (UV) radiation
- High tracking and arc resistance
- Extended service life

### [GEGridSolutions.com](http://GEGridSolutions.com)

ITI-Model-JVW-110C-Spec-EN-2018-01-Grid-AIS-1514. © Copyright 2018. General Electric Company and Instrument Transformers LLC reserve the right to change specifications of described products at any time without notice and without obligation to notify any person of such changes.

### Worldwide Contact Center

Web: [www.GEGridSolutions.com/contact](http://www.GEGridSolutions.com/contact)

Phone: +44 (0) 1785 250 070

USA and Canada: +1 (0) 800 547 8629

Europe, Middle East and Africa: +34 (0) 94 485 88 00

