

# Model JCT-AC 600V

## Indoor Current Transformer 10 kV BIL With Integral Primary Bar

### Application

Designed for indoor service; suitable for operating meters and instruments, on both single-phase two-wire circuits and polyphase circuits.

### Weight

(Approximate)

Transformer, without base	7.0 lbs
Low base, add	0.25 lbs
High (EEI) base, add	1.0 lbs

### Insulation Level

0.6 kV; BIL 10 kV full wave

### Frequency

50-60 Hz



### Reference Drawings

Outline 0121C42808

### Model JCT-AC 600V Data Table

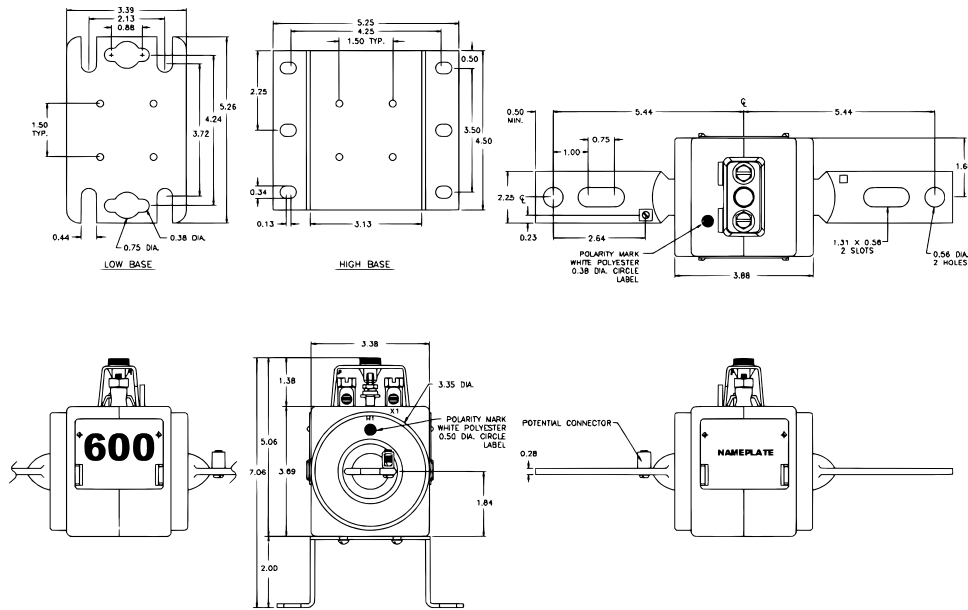
Current Ratio (Amps) Pri : Sec	IEEE Accuracy Class, 60 Hz Burden Per IEEE			Continuous Thermal-Current Rating Factor		Catalog Number
	BO.1	BO.2	E0.04	30 °C Ambient	55 °C Ambient	With Secondary Hardware and Cover
	Without Base					
600:5	0.15	0.30	0.15	2.0	0.15	750X123625
800:5	0.15	0.15	0.15	0.15	1.0	750X123626

*Baseplate Models Available, Consult Factory for Catalog Number*



## Model JCT-AC

### Dimensions in inches



### Construction and Insulation

The core and coil are enclosed in a case molded with GE Valox thermoplastic polyester resin. This tough material has excellent electrical and mechanical properties over a wide temperature range, has low water absorption and is resistant to oil and a variety of chemicals.

### Core and Coils

The core is made from high quality grain oriented silicon steel, annealed under rigidly controlled factory conditions. The secondary winding is made of heavy enameled copper wire. The secondary windings are evenly distributed around the core for maximum accuracy and resistance to stray fields from adjacent conductors.

### Terminals

Secondary terminals are tin plated brass, compression type with a 0.275" diameter cross-hole for wiring and a 1/4-28 clamp screw. A shorting device is provided and interlocked to the terminal cover. The terminal cover is made of a clear plastic. Provision is made for sealing the cover.

### Polarity

The H1 polarity mark is molded into the case, above the window at one end. The X1 polarity mark is also molded into the case adjacent to the secondary terminal. Both H1 and X1 are also marked with white dots.

### Primary Bars

Formed from copper tube for 600 & 800 Amp ratings, they are tin-plated. They are non-removable and have a potential connector that can be attached above or below the bar at either end.

### Nameplate

The nameplate is laser engraved aluminum. It is attached to the top of the unit and has provision for attaching the user's identifying tag. The nominal current rating is marked on both faces of the unit in large numerals.

### Mounting

The transformer can be mounted in any position and may be suspended from the bus-bar or cable. It has provision for attaching two optional bases. Low bases are made from stainless steel. The high base increases the transformer height by 2 inches.

### Maintenance

These transformers require no maintenance, other than occasional cleaning, if installed where air contamination is severe.

### [GEGridSolutions.com](http://GEGridSolutions.com)

Grid-AIS-L4-ITL\_Model\_JCT\_AC-1406-2017\_08-EN. © Copyright 2017. General Electric Company and Instrument Transformers LLC reserve the right to change specifications of described products at any time without notice and without obligation to notify any person of such changes.

### Worldwide Contact Center

Web: [www.GEGridSolutions.com/contact](http://www.GEGridSolutions.com/contact)

Phone: +44 (0) 1785 250 070

USA and Canada: +1 (0) 800 547 8629

Europe, Middle East and Africa: +34 (0) 94 485 88 00

