

Model 56

Current Transformer Window Diameter 2.06"

Application

With ammeters, wattmeters, and cross current compensation.

Frequency

50-400 Hz.

Insulation Level

600 Volt, 10 kV BIL full wave.

Flexible leads are UL 1015, 105 °C, CSA approved, #16 AWG, 24" long.

Non-standard, lead length can be specified.

Terminals are brass studs No. 8-32 with one flatwasher, lockwasher and regular nut.

SFT case styles also available as SFL with leads.

Approximate weight 0.6 lbs.



Models 56RT & 56RL Shown



Data Table: Model 56

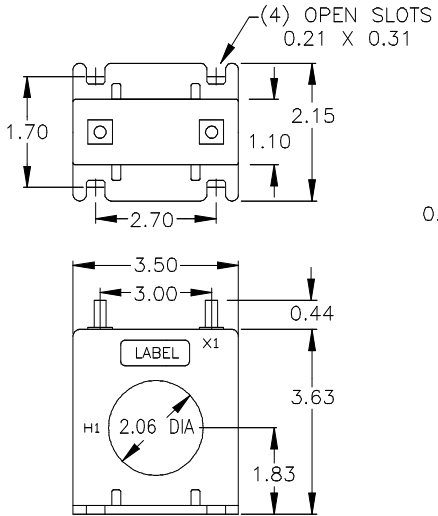
| Catalog Number | Current Ratio | Accuracy at 60 Hz | Burden VA at 60 Hz |
|----------------|---------------|-------------------|--------------------|
| 56**—500 | 50:5 | ± 3% | 0.5 |
| 56**—750 | 75:5 | ± 1% | 0.5 |
| 56**—101 | 100:5 | ± 1% | 1.0 |
| 56**—151 | 150:5 | ± 1% | 2.5 |
| 56**—201 | 200:5 | ± 1% | 4.0 |
| 56**—251 | 250:5 | ± 1% | 6.0 |
| 56**—301 | 300:5 | ± 1% | 7.5 |
| 56**—401 | 400:5 | ± 1% | 10.0 |
| 56**—501 | 500:5 | ± 1% | 12.5 |
| 56**—601 | 600:5 | ± 1% | 15.0 |
| 56**—751 | 750:5 | ± 1% | 7.0 |
| 56**—801 | 800:5 | ± 1% | 8.0 |
| 56**—102 | 1,000:5 | ± 1% | 10.0 |
| 56**—122 | 1,200:5 | ± 1% | 12.5 |

**Note: When ordering, prefix Cat No. with model designation required i.e. 56RL—101, 56RBL—251, etc.

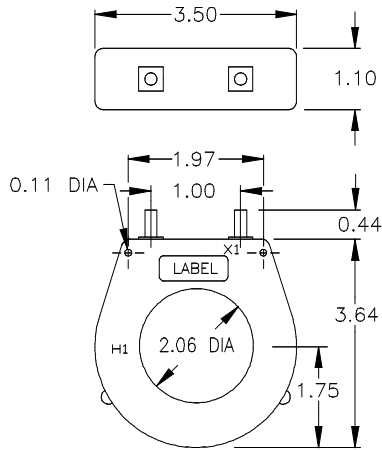


Model 56

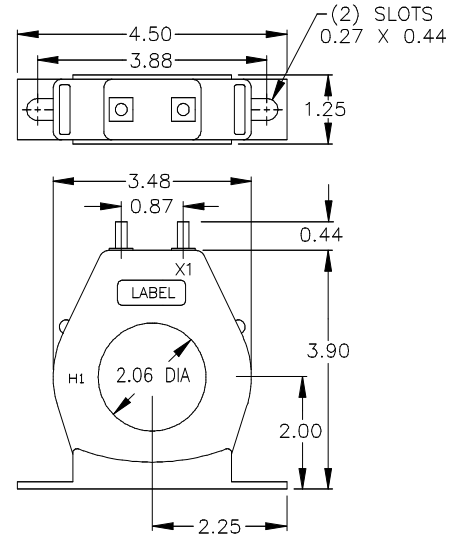
56SFT



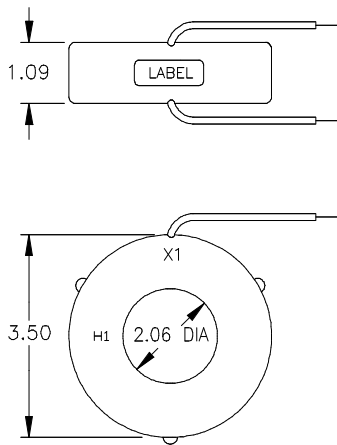
Model 56RT



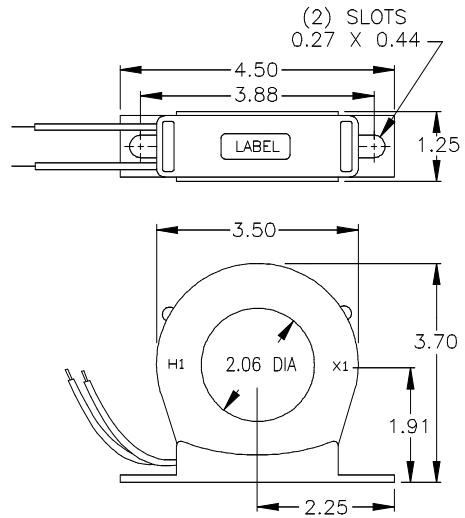
Model 56RBT



Model 56RL



Model 56RBL



GEGridSolutions.com

Grid-AIS-L4-ITL_Model_56-1548-2017_05-EN. © Copyright 2017. General Electric Company and Instrument Transformers LLC reserve the right to change specifications of described products at any time without notice and without obligation to notify any person of such changes.

Worldwide Contact Center

Web: www.GEGridSolutions.com/contact

Phone: +44 (0) 1785 250 070

USA and Canada: +1 (0) 800 547 8629

Europe, Middle East and Africa: +34 (0) 94 485 88 00

