

# Model 593

**Current Transformer with Cast Resin Construction  
Window Size 8.06”x 22.06”**

## Application

Relaying.

## Frequency

50-400 Hz.

## Insulation Level

600 Volts, 10 kV BIL full wave.

## Continuous Thermal Current Rating Factor

2.0 at 30 °C. amb.,  
2.0 at 55 °C. amb.

Terminals are brass screws No. 10-32  
with one flatwasher and lockwasher.

Approximate weight 150 lbs.

Excitation data available upon request.



### REGULATORY AGENCY APPROVALS



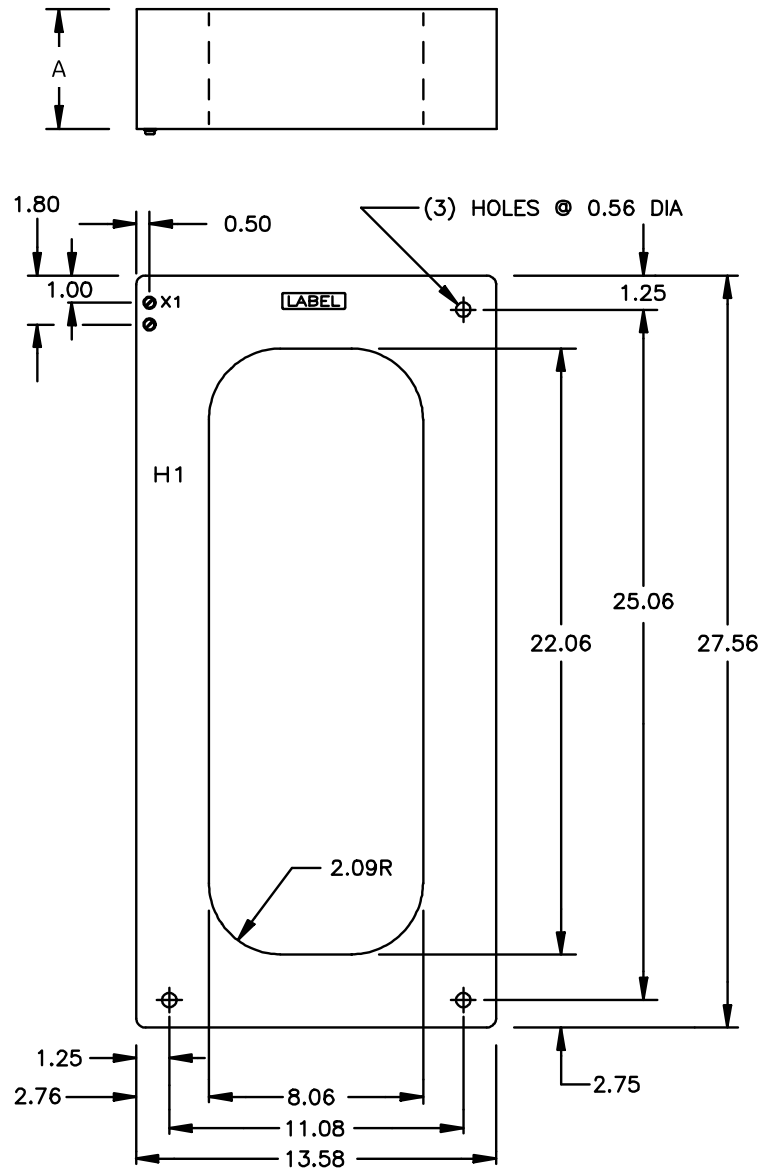
Manufactured to meet the requirements of ANSI/IEEE C57.13.  
Classified by U.L. in accordance with IEC 44-1

## Model 593

Catalog Number	Current Ratio	Relay Class	Depth 'A'
593-500	50:5	C10	4.5
593-750	75:5	C20	5.5
593-101	100:5	C30	5.5
593-151	150:5	C50	5.5
593-201	200:5	C50	5.5
593-301	300:5	C100	5.5
593-401	400:5	C100	5.5
593-501	500:5	C200	5.5



# Model 593



## [GEGridSolutions.com](http://GEGridSolutions.com)

Grid-AIS-L4-ITL\_Model\_593-1348-2017\_06-EN. © Copyright 2017. General Electric Company and Instrument Transformers LLC reserve the right to change specifications of described products at any time without notice and without obligation to notify any person of such changes.

### Worldwide Contact Center

Web: [www.GEGridSolutions.com/contact](http://www.GEGridSolutions.com/contact)

Phone: +44 (0) 1785 250 070

USA and Canada: +1 (0) 800 547 8629

Europe, Middle East and Africa: +34 (0) 94 485 88 00

