

# GE Grid Solutions

## Model 682

### Current Transformer Window Diameter 7.62"

#### Application

Relaying and metering.

#### Frequency

50-400 Hz.

#### Insulation Level

0.6 kV, BIL 10 kV full wave.

#### Continuous Thermal Current Rating Factor

50:5 thru 2000:5: 2.0 at 30°C. amb., 1.5 at 55°C. amb.

2500:5 thru 3500:5: 1.33 at 30°C. amb., 1.0 at 55°C. amb.

4000:5: 1.0 at 30°C. amb., 0.75 at 55°C. amb.

Secondary terminals are brass screws No. 10-32 with one flatwasher and lockwasher.

Multi-ratios available on request. Consult Factory.

Approximate weight 30 lbs



REGULATORY AGENCY APPROVALS



Manufactured to meet the requirements of ANSI/IEEE C57.13. Classified by U.L. in accordance with IEC 44-1

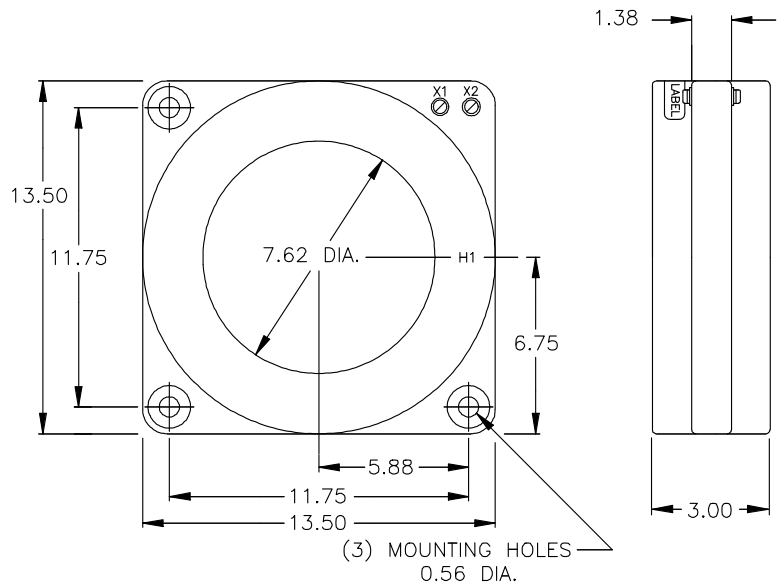
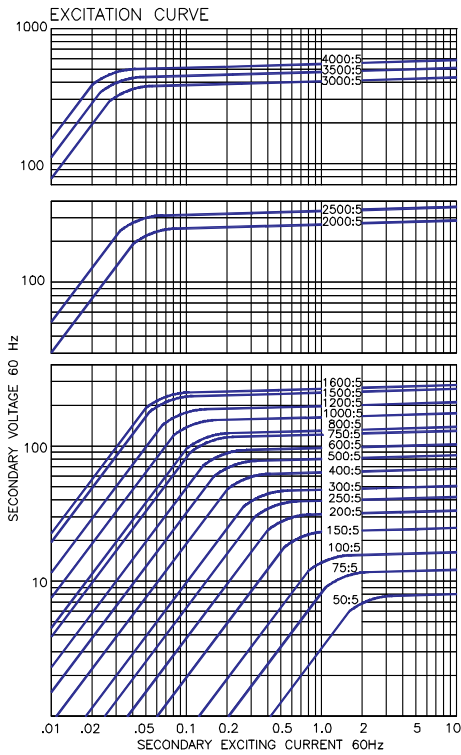
### Model 682

Catalog Number	Current Ratio	Relay Class	ANSI Metering Class at 60 HZ					Secondary Winding Resistance (Ω @ 75°C)
			B0.1	B0.2	B0.5	B0.9	B1.8	
682-500	50:5	C5	4.8	—	—	—	—	0.014
682-750	75:5	C10	2.4	4.8	—	—	—	0.020
682-101	100:5	C10	2.4	4.8	—	—	—	0.027
682-151	150:5*	C20	0.6	1.2	2.4	—	—	0.044
682-201	200:5*	C25	0.6	1.2	2.4	—	—	0.071
682-251	250:5*	C35	0.6	0.6	1.2	2.4	—	0.089
682-301	300:5*	C40	0.6	0.6	1.2	1.2	2.4	0.106
682-351	350:5*	C55	0.3	0.6	0.6	1.2	2.4	0.124
682-401	400:5*	C60	0.3	0.6	0.6	1.2	1.2	0.142
682-501	500:5*	C75	0.3	0.3	0.3	0.6	1.2	0.177
682-601	600:5*	C100	0.3	0.3	0.3	0.6	1.2	0.212
682-751	750:5*	C100	0.3	0.3	0.3	0.6	0.6	0.266
682-801	800:5*	C130	0.3	0.3	0.3	0.6	0.6	0.283
682-102	1000:5*	C170	0.3	0.3	0.3	0.3	0.3	0.354
682-122	1200:5*	C200	0.3	0.3	0.3	0.3	0.3	0.425
682-152	1500:5*	C200	0.3	0.3	0.3	0.3	0.3	0.531
682-162	1600:5*	C200	0.3	0.3	0.3	0.3	0.3	0.567
682-202	2000:5*	C210	0.3	0.3	0.3	0.3	0.3	0.648
682-252	2500:5*	C300	0.3	0.3	0.3	0.3	0.3	0.810
682-302	3000:5*	C300	0.3	0.3	0.3	0.3	0.3	0.938
682-352	3500:5*	C300	0.3	0.3	0.3	0.3	0.3	1.371
682-402	4000:5*	C300	0.3	0.3	0.3	0.3	0.3	1.962

Approved for revenue metering by Industry Canada No. AE-0646(\*)



# Model 682



## GEGridSolutions.com

Grid-AIS-L4-ITL\_Model\_682-1359-2017\_08-EN. © Copyright 2017. General Electric Company and Instrument Transformers LLC reserve the right to change specifications of described products at any time without notice and without obligation to notify any person of such changes.

### Worldwide Contact Center

Web: [www.GEGridSolutions.com/contact](http://www.GEGridSolutions.com/contact)

Phone: +44 (0) 1785 250 070

USA and Canada: +1 (0) 800 547 8629

Europe, Middle East and Africa: +34 (0) 94 485 88 00

