

# Model 685

## Current Transformer Window Diameter 7.02"

### Application

Relaying and metering.

### Frequency

50-400 Hz.

### Insulation Level

600 Volts, 10 kV BIL full wave.

### Continuous Thermal Current Rating Factor

50:5 thru 2000:5: 2.0 at 30°C. amb.,  
1.5 at 55°C. amb.

2500:5 thru 4000:5: 1.33 at 30°C. amb.,  
1.0 at 55°C. amb.

Secondary terminals are brass screws  
No. 10-32 with one flatwasher,  
lockwasher, accessible from either side.

Approximate weight 64 lbs.



#### REGULATORY AGENCY APPROVALS



Manufactured to meet the requirements of ANSI/IEEE C57.13.  
Classified by U.L. in accordance with IEC 44-1

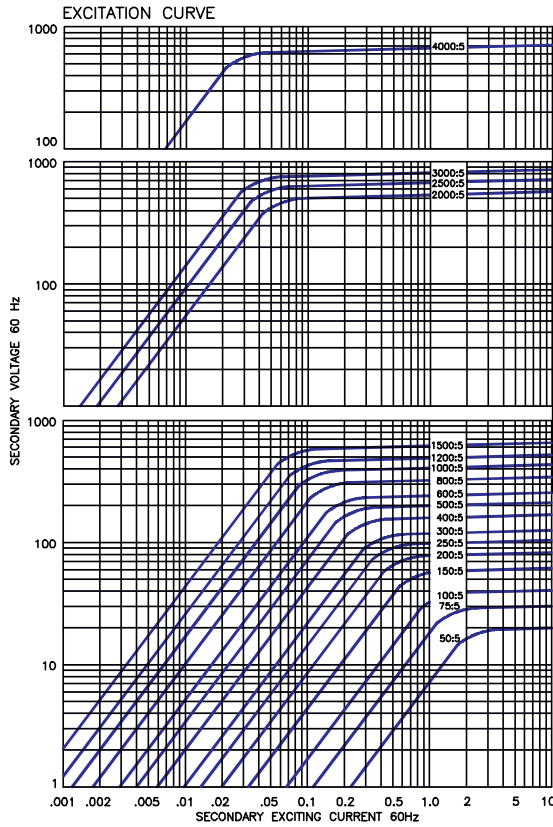
## Model 685

| Catalog Number | Current Ratio | Relay Class | ANSI Metering Class at 60 HZ |      |      |      |      |
|----------------|---------------|-------------|------------------------------|------|------|------|------|
|                |               |             | BO.1                         | BO.2 | BO.5 | BO.9 | B1.8 |
| 685-500        | 50:5          | C10         | 4.8                          | 4.8  | —    | —    | —    |
| 685-750        | 75:5          | C20         | 2.4                          | 2.4  | 4.8  | —    | —    |
| 685-101        | 100:5         | C20         | 1.2                          | 2.4  | 2.4  | 4.8  | —    |
| 685-151        | 150:5*        | C20         | 0.6                          | 1.2  | 1.2  | 2.4  | 4.8  |
| 685-201        | 200:5*        | C50         | 0.6                          | 0.6  | 1.2  | 1.2  | 2.4  |
| 685-251        | 250:5*        | C50         | 0.3                          | 0.6  | 0.6  | 1.2  | 2.4  |
| 685-301        | 300:5*        | C100        | 0.3                          | 0.3  | 0.6  | 0.6  | 1.2  |
| 685-401        | 400:5*        | C100        | 0.3                          | 0.3  | 0.3  | 0.6  | 0.6  |
| 685-501        | 500:5*        | C100        | 0.3                          | 0.3  | 0.3  | 0.3  | 0.6  |
| 685-601        | 600:5*        | C200        | 0.3                          | 0.3  | 0.3  | 0.3  | 0.3  |
| 685-801        | 800:5*        | C200        | 0.3                          | 0.3  | 0.3  | 0.3  | 0.3  |
| 685-102        | 1000:5*       | C200        | 0.3                          | 0.3  | 0.3  | 0.3  | 0.3  |
| 685-122        | 1200:5*       | C400        | 0.3                          | 0.3  | 0.3  | 0.3  | 0.3  |
| 685-152        | 1500:5*       | C400        | 0.3                          | 0.3  | 0.3  | 0.3  | 0.3  |
| 685-202        | 2000:5*       | C400        | 0.3                          | 0.3  | 0.3  | 0.3  | 0.3  |
| 685-252        | 2500:5*       | C400        | 0.3                          | 0.3  | 0.3  | 0.3  | 0.3  |
| 685-302        | 3000:5*       | C400        | 0.3                          | 0.3  | 0.3  | 0.3  | 0.3  |
| 685-402        | 4000:5*       | C400        | 0.3                          | 0.3  | 0.3  | 0.3  | 0.3  |

Approved for revenue metering by Industry Canada No. AE-0643(\*)

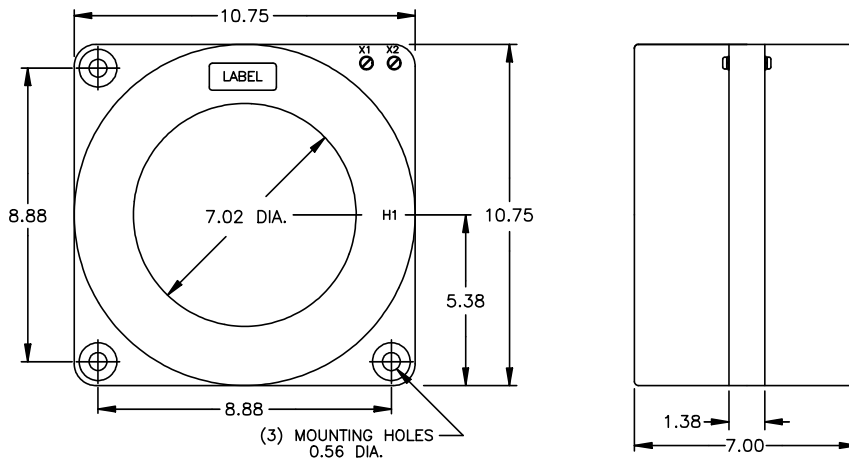


# Model 685



## Model 685

| Current Ratio | Secondary Winding Resistance ( $\Omega$ @ 75°C) |
|---------------|---|
| 50:5          | 0.029   |
| 75:5          | 0.043   |
| 100:5         | 0.058   |
| 150:5         | 0.086   |
| 200:5         | 0.118   |
| 250:5         | 0.147   |
| 300:5         | 0.177   |
| 400:5         | 0.236   |
| 500:5         | 0.295   |
| 600:5         | 0.354   |
| 800:5         | 0.472   |
| 1000:5        | 0.590   |
| 1200:5        | 0.708   |
| 1500:5        | 0.884   |
| 2000:5        | 1.039   |
| 2500:5        | 1.298   |
| 3000:5        | 1.558   |
| 4000:5        | 1.956   |



### [GEGridSolutions.com](http://GEGridSolutions.com)

Grid-AIS-L4-ITL\_Model\_685-1360-2017\_06-EN. © Copyright 2017. General Electric Company and Instrument Transformers LLC reserve the right to change specifications of described products at any time without notice and without obligation to notify any person of such changes.

### Worldwide Contact Center

Web: [www.GEGridSolutions.com/contact](http://www.GEGridSolutions.com/contact)

Phone: +44 (0) 1785 250 070

USA and Canada: +1 (0) 800 547 8629

Europe, Middle East and Africa: +34 (0) 94 485 88 00

