

SMTB4

PMTB 14

Product Description

IEC test blocks and associated test plugs include the 14-pole PMTB 14 and the 4-pole compact SMTB4 product lines. Both products are ideal for safely and efficiently measuring current and voltage transformer outputs and injecting calibrated current and voltage into meter, instrument, and protective relay devices. These products have been designed, manufactured, and tested in accordance with IEC standards and are CE, RoHS, & REACH Certified. The PMTB 14 consists of one common test block and five optional test plug assemblies to accommodate any number of current and voltage testing requirements. The SMTB4 is ultra-compact, can be surface, flush or DIN rail mounted, and can be equipped with screw clamp, ring tongue, or quick disconnect terminations.

Key Benefits

- Enables the testing of protection relays and meters with no interruption of the power circuit
- Savings in man-hours for testing and trouble shooting
- Unsurpassed in the areas of security, robustness and reliability in harsh industrial environments
- No need to disturb existing connections or relay settings for testing purposes

Applications

- Isolate protection relays and inject current / voltage into the protective devices to quickly and safely verify system protection performance
- Automatically short CT secondaries with use of available test plug configurations
- Test plugs can be connected continuously to the test block to supply current or voltage to secondary circuit sub-assemblies
- Calibrate meters and control devices

Features

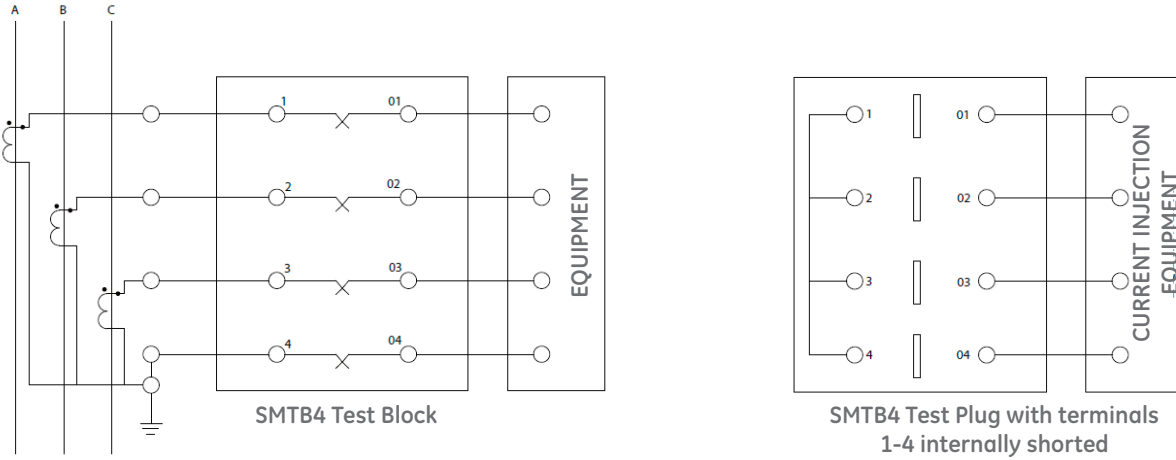
SMTB4

- Color coded to differentiate between current & voltage circuits
- Pre-wired test plugs available
- Surface, flush, semi-flush, & G32 DIN rail mounting provisions available
- Front access wiring on surface, semi-flush, & DIN rail models
- Rear access wiring on flush and semi-flush models
- Screw clamp, ring tongue, & quick disconnect termination provisions for up to 2.5mm² wire
- Removable & sealable cover included with each test block

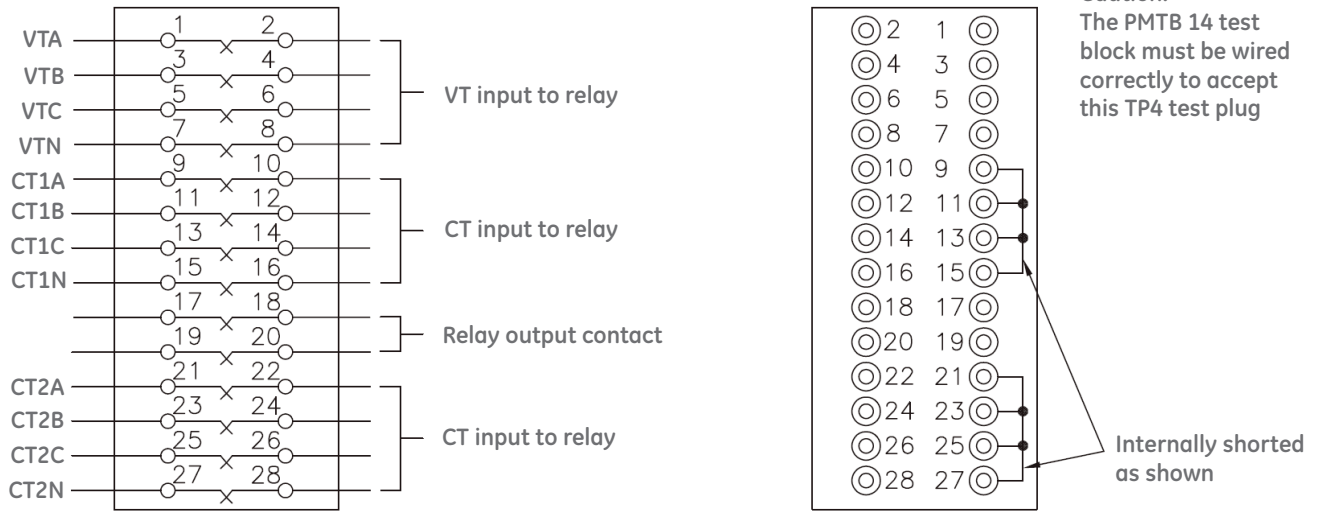
PMTB 14

- Finger-Safe sockets for standard 4mm banana plugs on Test Plug
- Semi-flush front access for testing
- Rear access wiring provisions
- Removable & sealable clear cover
- Color coded "Live" (Red) & "Equipment" (White) test sockets on test plug
- (5) Test Plug configurations ... (1) designed to interrupt up to (3) breaker tripping circuits before any CT or VT circuits are disturbed

IEC Test Blocks and Plugs



Typical application of SMTB4 showing isolation of CT's from devices, automatic CT shorting, and current injection from calibrated source



Typical application of PMTB 14 showing isolation of CTs and VT's from devices and automatic CT shorting with use of PMTB 14-TP4 Test Plug

North America / Worldwide
 Toll Free + 1-800-547-8629 (NA Only)
 Tel: + 1-905-294-6222
 Fax: +1-905-201-2098
 email: gemultilin@ge.com

Brazil
 Tel: +55-11-2178-1749
 Fax: +55-11-2178-1711
 email: gemultilin@ge.com

Asia
 Tel: +86-21-2401-3208
 Fax: +86-21-5423-5080
 email: gedigitalenergy.china@ge.com

Europe / Middle East / Africa
 Tel: +34-94-485-88-00
 Fax: +34-94-485-88-45
 email: gemultilin.euro@ge.com