



**Encompass Current Sensor**  
**Model JAB-0W 600V, 10kV BIL, 200-3000A**  
 Window Size 4.50"x 3.50"



**APPLICATION**  
 Designed for indoor service; especially designed for installation over the secondary bushings of pad-mounted transformers from 75 kVA to 3000 kVA. For mounting and application information, including use at higher voltages, and matching the current rating to the transformer thermal capability, please refer to the Applications Information section of catalog GEP-9186.

**WEIGHT**  
 Approximately .....4.0 lbs

**REFERENCE DRAWINGS**  
 Outline .....0121C33851  
 Outline (cast resin) .....0121C40890

**INSULATION LEVEL**  
 0.6kV; BIL 10kV full wave

**FREQUENCY**  
 50-60 Hz

JAB-0W DATA TABLE					
Current Ratio (Amps) Pri : Sec	ANSI Accuracy Class, 60 Hz Burden Per ANSI 0.3 B0.5	Continuous Thermal Current Rating Factor		Catalog Number	Outline Figure
		@ 30° C Amb.	@ 55° C Amb.		
500:5	200:2 to 2000:20	4.0	3.0	750X136651	1
1500:5	600:2 to 3000:10	2.0	1.5	750X136652	1

JAB-0W HIGH TEMP DATA TABLE					
Current Ratio (Amps) Pri : Sec	ANSI Accuracy Class, 60 Hz Burden Per ANSI 0.3 B0.5	Continuous Thermal Current Rating Factor		Catalog Number	Outline Figure
		@ 85° C Amb.			
500:5	200:2 to 2000:20	4.0		750X136464	2
1500:5	600:2 to 3000:10	2.0		750X136463	1

Transformer rated meters must be investigated for use at the lower current range extension.

**Construction and Insulation**

The core and coil assembly is encapsulated in resin within a molded case. (figure 1) The case is molded with GE Valox thermoplastic polyester resin. This tough material has excellent electrical and mechanical properties over a wide temperature range, has low water absorption and is resistant to oil and a variety of chemicals. The polyurethane resin filling completely encapsulates the winding, leads and terminals to form a waterproof unit. The 500:5 HIGH temperature CT is slightly larger and molded in polyurethane resin. (figure 2)

**Core and Coils**

The core is made from high quality grain oriented silicon steel, annealed under rigidly controlled factory conditions. The secondary winding is made of heavy enameled copper wire. The secondary windings are evenly distributed around the core for maximum accuracy and resistance to stray fields from adjacent conductors.

**Terminals**

Secondary terminals are tin plated brass, compression type with a 0.275" diameter cross-hole for wiring and a 1/4-28 clamp screw. A shorting device is provided and interlocked to the terminal cover. The terminal cover is made of a clear plastic. Provision is made for sealing the cover.

**Polarity**

The H1 polarity mark is molded into the transformer body, above the window at one end. The X1 polarity mark is also molded into the body adjacent to the secondary terminal. Both are also identified with a white dot.

**Polarity**

Primary and secondary polarity marks H1, H2 and X1, X2 are molded into the case. In addition H1 and X1 are identified by white dots. The 500:5 HIGH temp. CT uses a polarity dot only to distinguish the H1 side.

**Primary Conductor**

These transformers are primarily intended for installation over the bushing and terminal blade of pad-mount transformer which then forms the primary conductor.

**Nameplates**

The nameplate is laser engraved aluminum. It is attached to the top of the unit and has provision for attaching the user's identifying tag. The nominal current rating is on both faces of the unit in large numerals.

**Mounting**

The transformer can be mounted in any position but is usually installed on the pad-mount transformer terminal blade using the Valox "grabbers". The grabbers are removable and the transformer also has two mounting holes allowing it to be attached to a mounting bracket.

**Maintenance**

These transformers require no maintenance, other than occasional cleaning, if installed where air contamination is severe.

Data subject to change without notice

To purchase or obtain more information about GE Instrument Transformer products, please call GE Multilin at 1-800-547-8629. Product information is also available on our web site at <http://www.GEMultilin.com>. Click on the Product Index button (right column), select Transformers and follow the menus to **Product Information** or a **Solutions Advisor**.

**JAB-0W Dimensions**

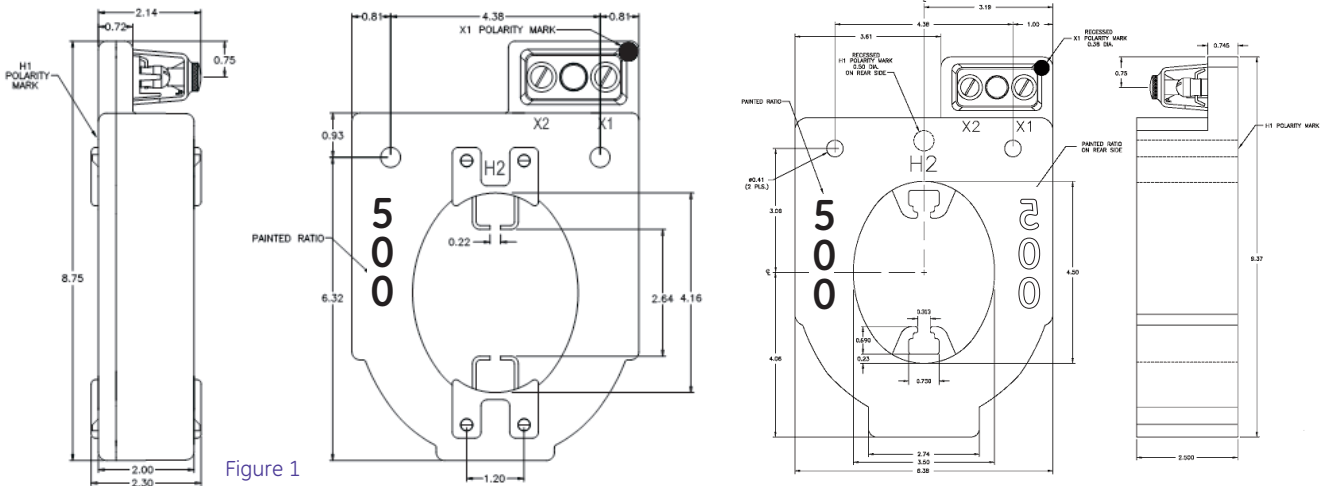


Figure 1

Figure 2

**USA, Canada, Asia, Latin America**

Tel: +1-800-547-8629

Fax: +1-905-201-2455

e-mail: [sales.multilin@ge.com](mailto:sales.multilin@ge.com)

**Europe, Middle East, Africa**

Tel: +34-94-485-88-00

Fax: +34-94-485-88-45

e-mail: [gemultilin.euro@ge.com](mailto:gemultilin.euro@ge.com)