

Model JAK-AC

**High Accuracy Indoor/Outdoor Current Transformer
600 V, 10 kV BIL, 400-3,000 A, Window Diameter 3.062"**

Application

Designed for both indoor and outdoor service. Suitable for operating meters and instruments, on both single phase two-wire circuits and polyphase circuits. The window type transformer can also be used on three-wire single-phase circuits. For use on higher voltage circuits with an insulated primary conductor, refer to the Applications Information section of catalog GEP-9186.



ANSI Meter Accuracy Class, 60 Hz

See Table for Burden information

Weight

(approximate)
Window-Type Transformer 12 lbs
Primary Bar-Type Transformers 15 lbs
Low Base, add 0.7 lb
High Base, add 1.0 lbs

Reference Drawings

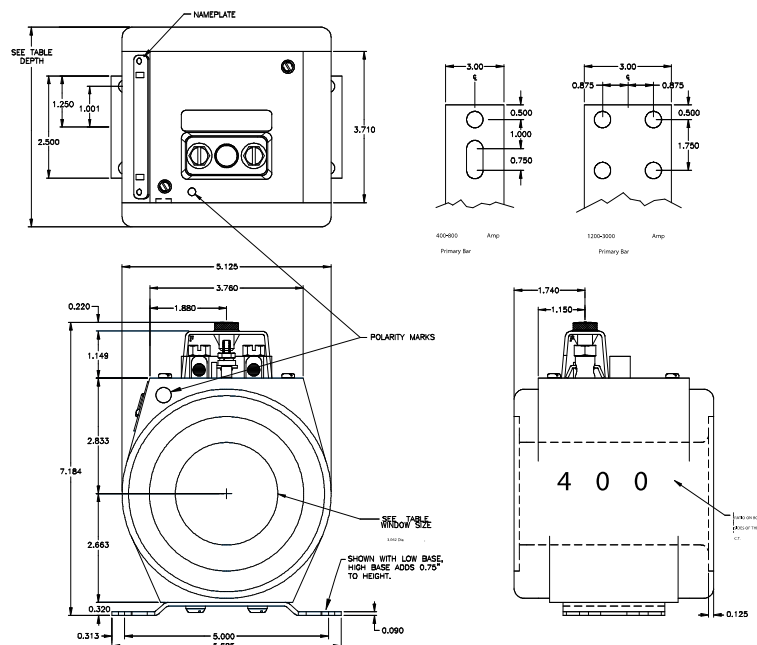
Outline 0121C33607
Bus Bar Assembly
(400-800:5) 0821C34762-4
Bus Bar Assembly
(1000-3000:5) 1521C37743

JAK-AC Product Data

Current Ratio (Amps) Pri : Sec	Continuous Thermal Current Rating Factor		Max. Burden for 0.15 Accuracy	Electronic Burdens			Catalog Number			
	@30 °C Amb.	@ 55 °C Amb.		E0.04	E0.2	No Base	Low Base	Wide Base	High Base	
Window-Type, Single Ratio										
400:5	3.0	2.2	B0.1	--	--	750X133567	750X133575			750X133XXX
500:5	2.0	1.5	B0.2	--	--	750X133568	750X133576			750X133XXX
600:5	1.5	1.1	B0.2	--	--	750X133569	750X133577			750X133XXX
800:5	1.5	1.1	B0.2	--	--	750X133570	750X133578			750X133XXX
1,200:5	1.5	1.1	B0.5	0.15	0.15	750X133571	750X133579			750X133XXX
1,500:5	1.5	1.1	B0.5	0.15	0.15	750X133572	750X133580			750X133XXX
2,000:5	1.0	0.7	B0.5	0.15	0.15	750X133573	750X133581			750X133XXX
3,000:5	1.0	0.7	B0.5	0.15	0.15	750X133574	750X133582			750X133XXX
Primary Bar-Type, Single Ratio										
400:5	3.0	2.2	B0.1	--	--	750X133583	750X133591	750X133XXX		750X133XXX
500:5	2.0	1.5	B0.2	--	--	750X133584	750X133592	750X133XXX		750X133XXX
600:5	1.5	1.1	B0.2	--	--	750X133585	750X133593	750X133XXX		750X133XXX
800:5	1.5	1.1	B0.2	--	--	750X133586	750X133594	750X133XXX		750X133XXX
1,200:5	1.5	1.1	B0.5	0.15	0.15	750X133587	750X133595	750X133XXX		750X133XXX
1,500:5	1.5	1.1	B0.5	0.15	0.15	750X133588	750X133596	750X133XXX		750X133XXX
2,000:5	1.0	0.7	B0.5	0.15	0.15	750X133589	750X133597	750X133XXX		750X133XXX
3,000:5	1.0	0.7	B0.5	0.15	0.15	750X133590	750X133598	750X133XXX		750X133XXX



JAK-AC Dimensions



Construction and Insulation

The core and coil are encapsulated in a polyurethane resin. This material has excellent electrical and mechanical properties over a wide temperature range and is resistant to oil and a variety of chemicals.

Core and Coils

The core is made from high quality grain oriented silicon steel, annealed under rigidly controlled factory conditions. The secondary winding is made of heavy enameled copper wire evenly distributed around the core for maximum accuracy and resistance to stray fields from adjacent conductors.

Terminals

Secondary terminals are tin plated brass, compression type with a 0.275" diameter cross-hole for wiring and a 1/4-28 clamp screw. A shorting device is provided and interlocked to the terminal cover. The terminal cover is made of a clear plastic. Provision is made for sealing the cover.

Conduit Attachment

A secondary conduit box, attached to the secondary terminal block, is available. It is suitable for outdoor applications. Box and cover are made of aluminum with black finish. The cover has a gasket and four sealable thumb-screws. The same box is used for single and dual ratio transformers.

Polarity

The H1 polarity mark is indented into the body, above the window at one end. The X1 polarity mark is also molded into the body adjacent to the secondary terminal. Both marks are white for visibility.

Primary Bars

Formed from flat copper bar, they are tin-plated. They can be supplied mounted to the transformer, or separately for assembly into window-type units; they can be rotated to bring the terminal pads into any orientation. The bar is supported and held in place by two end plates, which act as small animal barriers. One plate is permanently attached to the bar; the other has a slot allowing it to be slipped over the bar where it is held in place by two setscrews. Holes in the plate allow ventilation and drainage of any water which might accumulate in the window. A potential connector is provided, adjacent to the fixed end plate.

Nameplates

The nameplate is laser engraved aluminum. It is attached to the top of the unit and has provision for attaching the user's identifying tag. The nominal current rating is marked on the side of the unit in large numerals.

Baseplate and Mounting

The transformer can be mounted in any position and may be suspended from the bus-bar or cable. It has provision for attaching three optional bases. Bases are made from stainless steel. The high base increases the transformer height to provide interchangeability with 600 V bar-type current transformers.

Maintenance

These transformers require no maintenance, other than occasional cleaning, if installed where air contamination is severe.

GEGridSolutions.com

Grid-AIS-L4-ITL_Model_JAK_AC-1392-2017_08-EN. © Copyright 2017. General Electric Company and Instrument Transformers LLC reserve the right to change specifications of described products at any time without notice and without obligation to notify any person of such changes.

Worldwide Contact Center

Web: www.GEGridSolutions.com/contact

Phone: +44 (0) 1785 250 070

USA and Canada: +1 (0) 800 547 8629

Europe, Middle East and Africa: +34 (0) 94 485 88 00

