

# BUS TECHNICAL SPECIFICATIONS

PROTECTION	
STABILIZING RESISTOR 250 Ω	
ALARM FUNCTION	
Pickup:	0.027 A
Operation Time:	10 sec
BREAKER FAILURE (OPTION)	
Pickup:	0.2 to 3.3 A
Reset Time:	<12 ms
First Stage Timer:	100-730 ms
2nd & 3rd Stage:	upon request

MONITORING	
SENSITIVITY (FOR INTERNAL FAULTS) Adjustable from 0.2 to 2.0 A	
OPERATING TIME (INCLUDING OUTPUT RELAY) Less than 10 ms	

TYPE TESTS	
Insulation Test Voltage:	2 kV, 50/60 Hz, one min
Impulse Voltage Withstand:	5 kV peak, 1.2/50 μsec, 0.5 J
Interference Test Withstand:	ANSI/IEEE C37.90 and IEC 255-5

METERING	
Current:	$I_n = 1 A$
Thermal Ratings:	
Per Line Input:	
Continuous:	$2 \times I_n$
Three sec:	$50 \times I_n$
One sec:	$100 \times I_n$
Total Current Flow Through the Bus Bar:	
Continuous:	$20 \times I_n$

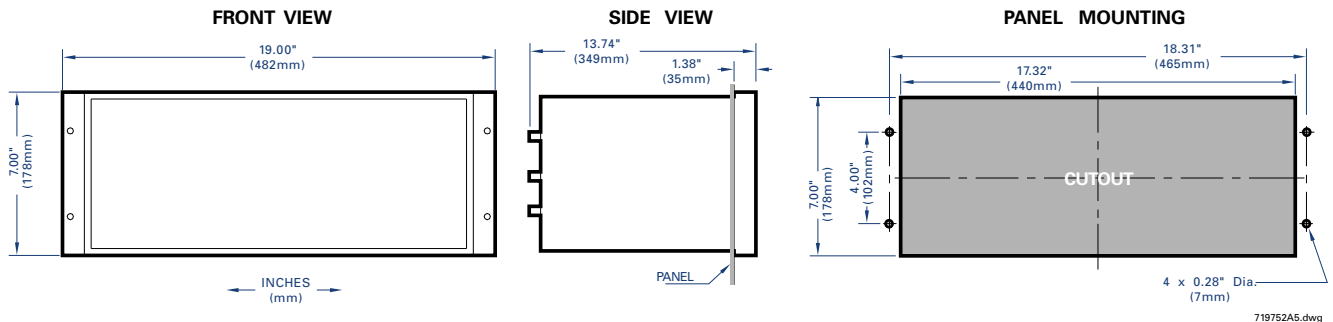
ENVIRONMENTAL	
Ambient Temperature Range:	
Storage:	-40°C to +70°C (-40°C also available)
Operation:	-20°C to +65°C

APPROVALS	
CE Compliant	

\*Specifications subject to change without notice.

INPUTS		
LINE CURRENT TRANSFORMERS REQUIREMENTS		
Relation between maximum and minimum current transformer ratio on all positions connected to the same bus bar:		
	10 max	
Maximum saturation voltage required (for $I_n = 5 A$ ):		
	100 V	
INTERMEDIATE CURRENT TRANSFORMERS		
Standard ratios:	5:2	
	5:1.33	
	5:1	
	5:0.5	
	5:0.2	
Other ratios, according to application, available.		
DC BURDENS		
	125 VDC systems (mA)	
	Normal	Tripped
Single bus system	280	670
Trip output (per line)	—	65
Line supervision and breaker failure units (per line)	70	140

## DIMENSIONS



## ORDERING

The BUS 1000/2000 is a modular system formed by individual functions and combinations. (The model number must be confirmed by the manufacturer.)

BUS	*	*	*	*	*	*	*	*	00	Description
1										BUS system in standard 19 inch racks
2										Without numerical monitorization module
	1									With numerical monitorization module
	2									Single busbar
	1									Double busbar
	**									Specify the number of lines + bus coupler (two digits) (Add 1 for bus couplers in case of double busbar)
		A								Without cabinet
		D								In a 787" x 315" x 315" cabinet (2000mm x 800mm x 800 mm)
			1							Without BF
			2							With analog BF
			3							With digital BF
			2							With test rack & short circuitable resistors
			3							Without test rack & short circuitable resistors
				1						50 Hz
				2						60 Hz
					C					Auxiliary voltage 125 VDC
					D					Auxiliary voltage 250 VDC
					E					Auxiliary voltage 220 VDC
					F					Auxiliary voltage 110 VDC

Auxiliary CTs are loose supplied unless otherwise specified.

### Accessories

- Cabinet for BUS 2000 19" racks
- Test system

Faster orders  
**via the web**  
[www.GEindustrial.com/pm](http://www.GEindustrial.com/pm)