



GE Power Management
Renewal Parts

Type SB-9 Control Switches

Ordering Instructions

1. Always specify the complete nameplate data of the switch.
2. Specify the quantity, catalog number (if listed), reference number (if listed), description, and this bulletin number.
3. Standard hardware, such as screws, bolts, nuts, washers, etc., is not listed in this bulletin. Such items should be purchased locally.
4. For prices, refer to the nearest office of the General Electric Company.

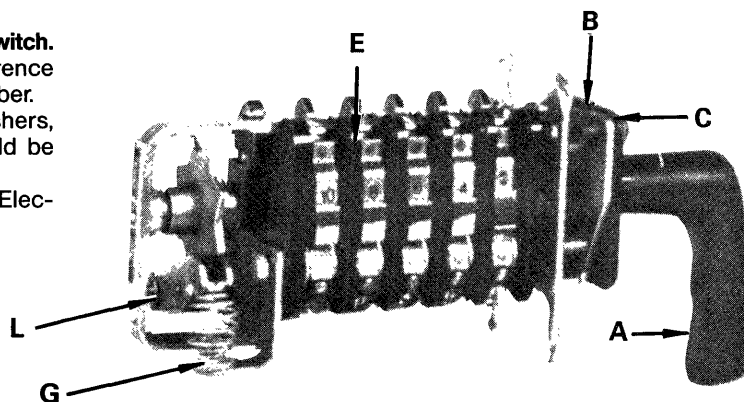


Fig. 1. Typical SB-9 Control Switch

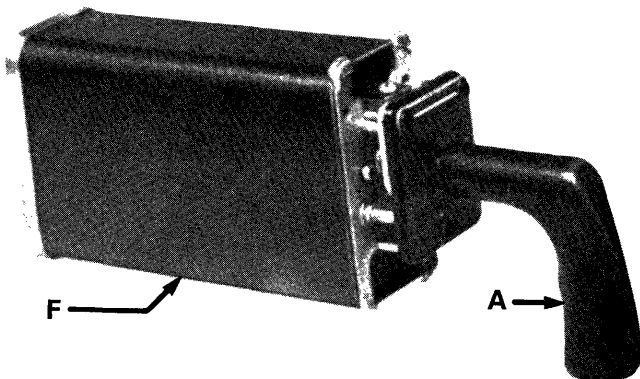


Fig. 2. Typical maintained-contact SB-9 Switch, five-stages long, cover removed.

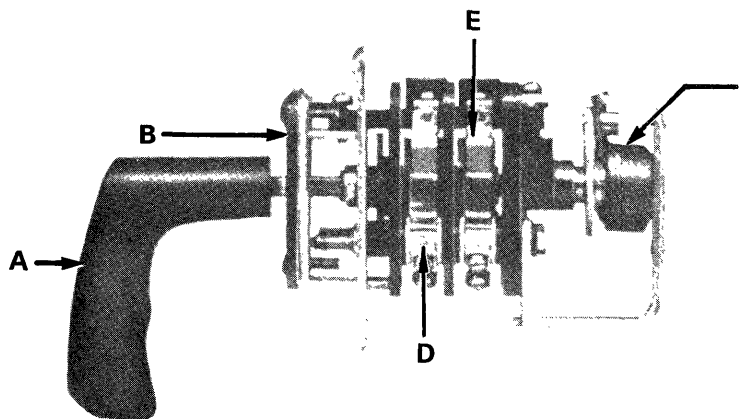


Fig. 3. Typical spring-return SB-9 Switch, two-stages long, cover removed.

GEF-3481, TYPE SB-9 SWITCHES

**TABLE 1
PRINCIPAL RENEWAL PARTS**

Ref. Symbol	Catalog Number	Description
A	(See Table 2)	Handle
B	‡	Escutcheon (specify engraving)
C	‡	Circuit designation plate (specify engraving)
*D	721-6305079G1	Moving contact with flexible shunt
*E	‡	Fixed contact and support assembly (components not furnished separately)
F	‡	Complete cover
G	721-6202665P1	Compression spring for positioning device.
H†	721-6015923P◆	Molded cams ("cut" cams not available)
I	721-6202609P1	Torsion spring (spring return from both sides)
J†	721-6244179P1	Torsion spring (spring return from CW to normal only)
K†	721-6244219P1	Torsion spring (spring return from CCW to normal only)
L	721-6422188G2	Roller arm assembly

* Recommended for Stock for normal maintenance.

† Not shown

‡ Order by description, including full number or catalog number of switch (this number is stamped on nameplate at the rear of the switch).

◆ Complete the number by filling in the number molded in to the side of the cam, i.e. "6015923P31."

**TABLE 2
BLACK HANDLES**

Description	Catalog Number	
	Rotary ▲	Pull-Out ▲
Pistol Grip	721-6046074P1	721-6046074P25
Oval	721-6046075P1	721-6046075P26
Radial	721-6047043P1	Not Avail.
Round	721-6047044P1	721-6402981G1
Knurled	721-6079120P1	721-6173790G4
Large Pistol Grip	721-6208137P1	721-6208137P4
Lever	721-6248034P1	Not Avail.
Removable	‡	—

‡ Order by description. Complete switch number must be specified.

▲ The standard handles are those for rotary action only and are different than those for switches which have lateral action, such as "pull-to-turn" or "pull-to-lock".

GE Power Management

215 Anderson Avenue
Markham, Ontario
Canada L6E 1B3
<http://www.GEindustrial.com/pm>